



## 江苏蓝鸟离心机制造有限公司

JIANGSU BLOVEBIRD CENTRIFUGE CO.,LTD

地址: 江苏·张家港市锦丰镇三兴202县道  
电话: +86-0512-5857 5858  
传真: +86-0512-585 31369  
邮箱: huang@lnlxj.net  
网址: www.lnlxj.com

Address: 202 County Road, Sanxing, Jinfeng Town, Zhangjiagang City, Jiangsu Province  
Tel: +86-0512-5857 5858  
Fax: +86-0512-585 31369  
E-mail: huang@lnlxj.net  
Web: www.lnlxj.com

本产品可能在未预告的情况下进行规格变更, 恕不另行通知。  
该目录中产品的颜色由于印刷原因, 内容可能与实际产品不符, 请以实际产品为准。  
The product may be changed without notice.  
The color of the products in this catalogue may not conform to the actual products due to printing reasons. Please take the actual products as the basis.



扫码咨询



蓝鸟网站



B L O V E B I R D

# 蓝鸟离心机实验系列

## BLOVEBIRD CENTRIFUGE

实验用离心机 EXPERIMENTAL CENTRIFUGE

您身边的物料分离专家。以小见大, 蓝鸟与您同行。

Material separation experts around you. See big from small, Blovebird walks with you.

江苏蓝鸟离心机制造有限公司  
JIANGSU BLOVEBIRD CENTRIFUGE CO.,LTD



All Paper is Biodegradable,  
Environmentally Friendly And Recyclable.

所有纸张均为可降解环保纸张。  
可回收利用。

“源东方制造  
铸百年品质  
致力于弘扬中国品牌”



**蓝鸟** BLOVEBIRD  
CENTRIFUGE  
离心机制造

## Contents 目录

### 实验用离心机 | Experimental Centrifuge

形式与用途 Form and Purpose	01
使用要求 Use Requirements	02
HY实验用小型卧螺沉降离心机 HY Series Small Decanter Centrifuge For Experiment	05
MY系列实验用小型卧螺筛网离心机 MY Series Horizontal Small Screen Scroll Centrifuge For Experiment	09
YGD系列实验用小型离心机 YGD Series Small Centrifuge For Experiment	13
YGT系列实验用小型离心机 YGT Series Small Centrifuge For Experiment	17

### 形式与用途：

该系列离心机是蓝鸟根据GMP及各企事业单位实验要求，分为YGD平板密闭，YGT可移动，HY沉降卧螺，MY过滤卧螺四个型号，具有结构紧凑、外表精致、转速高、噪音小、运转平稳、无基础安装等特点。各型号适用不同场合能满足您的各种分离需求，广泛适用于各大院校、科研单位和制药、化工、食品、精细化工等企事业单位中实验室的中小料试验。

### Form and Purpose:

In accordance with GMP standard and the experimental requirements, this kind of centrifuge series are divided into four models, there are YGD flat type filter centrifuge, YGT movable filter centrifuge, HY small decanter centrifuge and MY small screen scroll centrifuge. It has the characteristics of compact structure, exquisite appearance, high speed, low noise, stable operation and no foundation installation. All models are suitable for different occasions and can meet your various separation needs. They are widely used in small and medium-sized food tests in pilot laboratories of colleges and universities, scientific research institutions, pharmaceutical, chemical, food, fine chemical and other enterprises and institutions of small and medium-sized test room.

### 安装要求：

- 1.离心机应放置在平稳的水平面上，无需基础。
- 2.电机安装应有电工按照离心机所标旋转方向进行接线，同时做好防水防湿的保护。

### 操作方法：

- 1.通电运行前，应先进行下列各部分检查。
  - a.用手转动转鼓，看有无咬或卡住现象。
  - b.电动机部分各连接螺栓是否紧固，将三角带调整到适当的松紧度。
- 2.检查以上正常，安装好滤袋，才可通电空运行，转鼓旋转方向必须符合方向指示标的转向（从上向下看必须是顺时针方向旋转），严禁反方向运转。
- 3.将物料尽可能均匀的放入转鼓内，装入物料的重量不得超过各种规格额定的最大装料限量。
- 4.脱水结束，应先切断电源，待转鼓停止转动后取出物料，严禁在转鼓未全停时用手接触转鼓。

### 维护及保养：

- 1.离心机必须由专人负责操作，不得随意增加装料限量，操作时注意检查转鼓转方向是否符合。
- 2.不得随意增加离心机转速，在使用3个月 after，必须进行一次的全面的保养，对转鼓部分及轴承进行清洗，并加注润滑油。
- 3.经常检查离心机个部件的紧固件是否松动。
- 4.在12个月内（自购买之日起）产品质量实行三包，如因操作不当引起或造成损坏机件由用户自行负责。

### Installation requirements:

1. The centrifuge shall be placed on a stable horizontal plane without foundation.
2. The installation of the motor shall be wired by an electrician according to the rotation direction marked by the centrifuge, and water and moisture protection shall be done at the same time.

### Operation method:

1. Before power on operation, the following parts shall be checked first.
  - a. Rotate the drum by hand to see if it is bitten or stuck.
  - b. Check whether the connecting bolts of the motor are fastened, and adjust the V-belt to an appropriate tightness.
2. Check that the above conditions are normal. Only after the filter bag is installed can the drum be powered on and run empty. The rotation direction of the drum must comply with the direction of the direction indicator (it must rotate clockwise from top to bottom). It is strictly prohibited to run in the opposite direction.
3. Put the materials into the drum as evenly as possible, and the weight of the loaded materials shall not exceed the rated maximum loading limit of various specifications.
4. After dehydration, the power supply shall be cut off first, and the materials shall be taken out after the drum stops rotating. It is strictly prohibited to touch the drum by hand when the drum does not stop completely.

### Maintenance:

1. The centrifuge must be operated by a specially assigned person, and the loading limit shall not be increased at will. During operation, pay attention to check whether the rotation direction of the drum meets the requirements.
2. It is not allowed to increase the rotating speed of the centrifuge at will. After 3 months of use, a comprehensive maintenance must be carried out to clean the drum and bearings and add lubricating oil.
3. Frequently check whether the fasteners of the two parts of the centrifuge are loose.
4. Three guarantees shall be implemented for product quality within 12 months (from the date of purchase). The user shall be responsible for any damage caused by improper operation.

# 实验用离心机

EXPERIMENTAL CENTRIFUGE

持续打造蓝鸟离心机品牌，方便客户的可靠战略合作伙伴。

Continue to build Blovebird centrifuge brand, reliable strategic partner for customers.

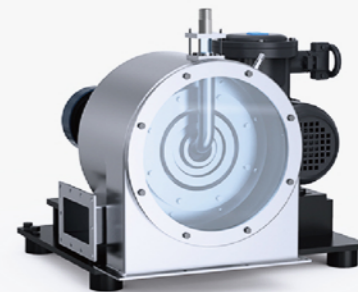
以专业的经验和服务为客户，持续创造价值。

With professional experience and service for customers, continue to create value.



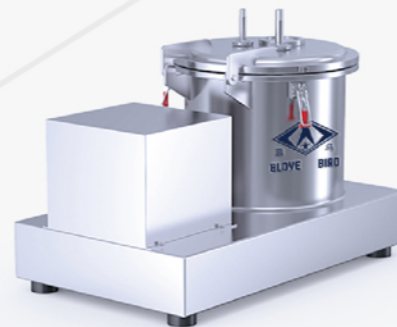
HY系列实验用小型卧螺沉降离心机

HY SERIES SMALL DECANter CENTRIFUGE FOR EXPERIMENT



MY系列实验用小型卧螺筛网离心机

MY SERIES HORIZONTAL SMALL SCREEN SCROLL CENTRIFUGE FOR EXPERIMENT



YGD系列实验用小型离心机

YGD SERIES SMALL CENTRIFUGE FOR EXPERIMENT



YGT系列实验用小型离心机

YGT SERIES SMALL CENTRIFUGE FOR EXPERIMENT

# HY实验用小型卧螺沉降离心机

HY SMALL DECANTER CENTRIFUGE FOR EXPERIMENT

## 工作原理 Operating Principle

卧螺离心机的工作原理很简单，已经被大众所知了一个世纪，转鼓和螺旋由分开的悬架支撑，物料由入口管进入，经转鼓加速进入核心转鼓体。

The working principle of the decanter centrifuge is very simple. It has been known to the public for a century. The drum and spiral are supported by separate suspensions. The material enters through the inlet pipe and accelerates into the core drum body through the drum.

# HY系列实验用小型卧螺沉降离心机

HY SERIES SMALL DECANTER CENTRIFUGE FOR EXPERIMENT

## 产品概述 Product Description

本系列产品专门为实验室两相分离而设计，主要用于小批量的从1L/H-500L/H的连续处理操作，最小吞吐量远小于工业离心机所需的吞吐量，为研究科研单位及小批量产量的最佳分离设备。在过去，这处理阶段过程常选择分批模拟处理方法。

This series of products are specially designed for laboratory two-phase separation. They are mainly used for continuous processing operations from 1L/H to 500L/H in small batches. The minimum throughput is much smaller than that required by industrial centrifuges. It is the best separation equipment for research and research institutions and small batch production. In the past, the batch simulation processing method was always selected during this processing stage.

## 分离过程 Separation Process

核心部分包括一个圆柱和圆锥的旋转桶，离心力使固体物料沉积在转鼓壁上。  
The core part consists of a cylindrical and conical rotating bucket. The force of the centrifuge makes the solid material deposited on the wall of the rotating drum.

## 固体卸料 Solid Discharge

螺旋体与转鼓具有相同的形状和角度，转速比转鼓稍慢，使得分离固体被推向狭窄锥端。从转鼓内排出。固体的脱水程度取决于很多因素，除了物料本身的原因，还取决于固体在离心机内的分离时间长短，以及输送固体的螺旋锥角，另外螺旋与转鼓的差速也是重要因素。

The spiral body and the rotating drum have the same shape and angle, and the speed is slightly slower than that of the rotating drum, so that the separated solid is pushed to the narrow cone end. Discharge from the drum. The degree of solid dehydration depends on many factors. In addition to the material itself, it also depends on the separation time of the solid in the centrifuge and the spiral cone angle of the conveying solid. In addition, the differential speed between the spiral and the drum is also an important factor.

## 排液 Draining

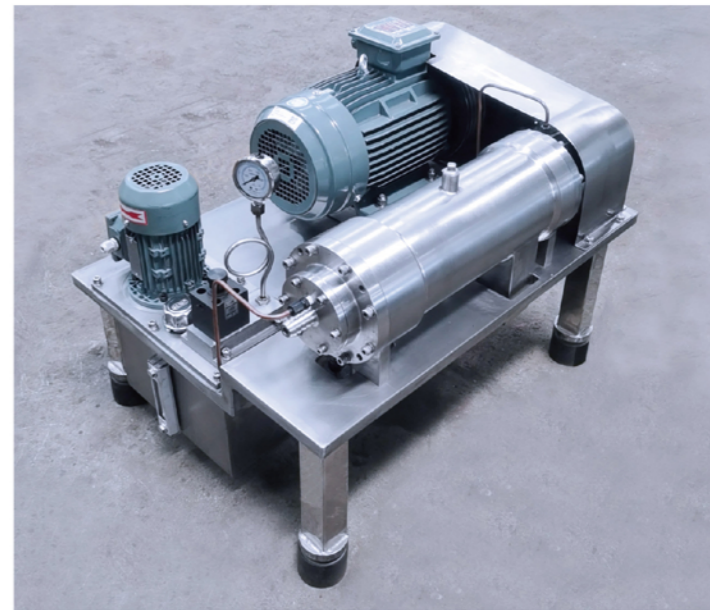
在转鼓的底部装有一个调节液位深度的卡盘，澄清后的液体沿着螺旋的圆柱流向底部，然后收集在出液斗里排出。机器转鼓内的澄清液深度可通过更换不同的挡液片来调整。

A chuck for adjusting the depth of the liquid level is installed at the bottom of the drum. The clarified liquid flows along the spiral cylinder to the bottom, and then is collected in the liquid hopper and discharged from the machine drum. The depth of the clarified liquid in the drum can be changed to different Retainer to adjust.

## 结构 Structure

所有的HY系列离心机以设计紧凑和简单操作为基础来确保机器功能及充分满足用户要求，组件的数量包括装配所需的设备被保持在最低限度，这样就保证了产品组装所需的时间大大减少，深入拆卸组装也只需要三十分即可，由于HY系列离心机操作简单，对于离心机的使用培训时间也大大减少，只需日常的离心机保养维护。

All HY series centrifuges are based on compact design and simple operation to ensure machine functions and fully meet user requirements. The number of components, including equipment required for assembly, is kept to a minimum, which ensures that the time required for product assembly is greatly increased. It only takes 30 minutes to disassemble and assemble deeply. Because the HY series centrifuge is easy to operate, the training time for the centrifuge is greatly reduced, and only daily centrifuge maintenance is required.





### 主要特点 Main Features

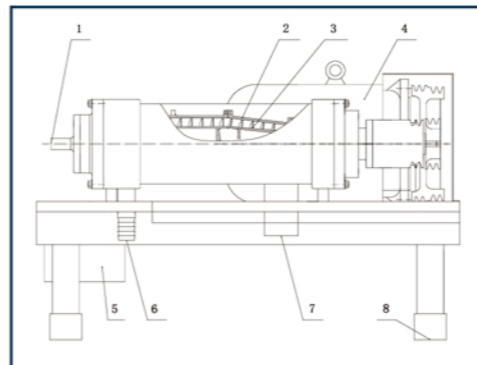
-  通用沉降离心机。  
Universal settling centrifuge.
-  快速的拆装——30分钟以内。  
Quick disassembly and assembly-within 30 minutes.
-  极少的物料残留，螺旋与转鼓间隙小于0.3mm。  
Very little material residue, the gap between the spiral and the drum is less than 0.3mm.
-  简单明了的控制面板和操作。  
Simple and clear control panel and operation.
-  紧凑的设计。  
Compact design.

### 应用 Application

HY系列高性能小型卧螺离心机通常使用在食品发酵行业，精细化工制药及生物技术行业，除了在研发部门。HY系列离心机也被应用在生产高质量的，流量小于200L/H的产品上。HY系列也可作为测量仪器对测试产品的两相流动特性和螺旋的转矩变化和功率消耗进行记录，从产品的流动行为对流程工艺进行改造。

HY series high-performance small decanter centrifuges are usually used in the food fermentation industry, fine chemical pharmacy and biotechnology industries, except in the research and development department. HY series centrifuges are also used to produce high-quality products with a flow rate of less than 200L/H. The HY series can also be used as a measuring instrument to record the two-phase flow characteristics of the test product and the torque change and power consumption of the spiral, and to modify the process technology from the flow behavior of the product.

### 结构示意图 Schematic Diagram



- ① 进料口
  - ② 转鼓
  - ③ 螺旋
  - ④ 电机
  - ⑤ 油箱
  - ⑥ 出液口
  - ⑦ 出料口
  - ⑧ 减震器
- ① Inlet Pipe
  - ② Drum
  - ③ Spiral
  - ④ Motor
  - ⑤ The Fuel Tank
  - ⑥ Liquid Outlet
  - ⑦ Solid Outlet
  - ⑧ Shock Absorber



### 技术参数 Technical Parameters

型号 Model	转鼓直径 Drum Diameter(mm)	半锥角 Half Cone Angle(deg)	进料管直径 Feeding Pipe Diameter(mm)	转速 Speed(r/min)	处理能力 Processing Capacity (L/H)	长径比 Aspect Ratio	分离因素 Separation Factor	电机功率 Power of Motor (kw)	机器重量 Weight (kg)	外形尺寸 Dimension (mm)
HY80	80	5°	12	10000	5-100	3.75	4476	4	160	850X650X550
HY120	120	6°	18	8000	50-500	3.85	4297	7.5	360	1150X900X750

# MY系列实验用小型卧螺筛网离心机

MY SERIES HORIZONTAL SMALL SCREEN SCROLL CENTRIFUGE FOR EXPERIMENT

## 工作原理 Operating Principle

悬浮液从进料管进入螺旋前端，经转鼓气流初步加速进入转鼓，在离心力场作用下料浆中的液相通过设置在转壁上的筛网被分离出去，固相颗粒则被截留在转鼓内；同时，转鼓内的固相颗粒在离心力和螺旋与转鼓之间的差速作用下从转鼓小端向转鼓大端运动，在此运动过程中，由于回转直径的加大，离心力得到快速递增，固相从初始进入时的高含湿量固相到排出转鼓时达到低含湿量固相，从而实现固液相自动、连续的分相。

MY系列实验用小型卧螺筛网离心机是基于LWL系列的改进机型。

Suspension from a feeding tube into the spiral front-end, the preliminary accelerated into the drum, drum air flow under the action of centrifugal force field in the slurry liquid phase by setting the screen mesh is on the wall of separation, solid phase particles are trapped inside the drum; At the same time, the drum of solid phased particles in centrifugal force and spiral drum under the action of the differential between the small drum to the drum heel movement, in the process of the movement, because of the turning diameter increased, increasing centrifugal force to get fast, solid phase from the initial to the high moisture content of solid phase to the discharge when the drum to solid phase, low moisture content so as to realize the separation of solid and liquid automatic, continuous.

MY series horizontal small screen scroll centrifuge for experiment is an improved model based on LWL series.

# MY系列实验用小型卧螺筛网离心机

MY SERIES HORIZONTAL SMALL SCREEN SCROLL CENTRIFUGE FOR EXPERIMENT

## 产品概述 Product Description

蓝鸟该系列离心机为LWL倒置型的改进缩小版机型，解决了LWL系列的缺点。因处理量的问题，精简了差速器，润滑系统等装置。携带方便，且能和LWL系列一样的功能，用于企事业单位研发实验室的研发工作。

The Blovebird centrifuge series is an improved version of LWL inverted model, which solves the shortcomings of LWL series. Due to the problem of handling capacity, simplified differential, lubrication system and other devices. Easy to carry, and can achieve the same functions as LWL series, used in enterprises and institutions research and development laboratory research and development work.

## 成功应用案例 Successful Application Cases

1 卧式螺旋筛网离心机已广泛用于化工、食品、盐、采矿、制药等行业。和LWL系列离心机一样，其对物料的针对性也比较强，在选择时应进行物料分析和相应的实验，以确定其适用和分离性能。MY series horizontal small screen scroll centrifuge for experiment has been widely used in chemical industry, food, salt, mining, pharmaceutical and other industries. Like LWL series centrifuge, it has strong pertinence to material, so material analysis and corresponding experiment should be carried out in the selection process to determine its applicability and separation performance.

2 MY系列采用筛网过滤,螺旋卸料方式,金属滤网孔隙最小可做到0.07mm。广泛适用各种晶体,纤维的分离。在国内众多企业的小处理量或是确定物料分离特性实验中发挥着非常重要的作用。MY series adopts screen filtering and spiral unloading method, and the minimum pore of the metal filter can be achieved to 0.07mm. Widely used in the separation of crystals and fibers. It plays a very important role in the small handling capacity or determining the material separation characteristics of many domestic enterprises.









蓝鸟离心机 Blovebird Centrifuge



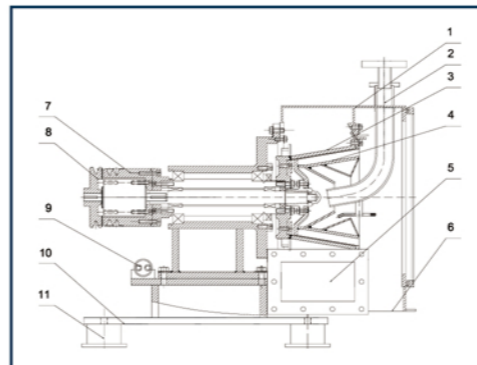




### 主要特点 Main Features

- 
**转鼓、螺旋等主要零件可用耐腐蚀不锈钢、钛合金制造。**  
 Drum, screw and other main parts can be corrosion-resistant stainless steel, titanium alloy manufacturing.
- 
**专用过滤网，滤网厚度达到0.5mm，筛眼密度10-250目可选，使用寿命更长。**  
 Special filter, filter thickness is 0.5 mm, 10-250 mesh sieve density optional, longer service life.
- 
**转鼓转速无极调速。**  
 Stepless speed regulation of drum speed.
- 
**简单可靠的循环润滑油润滑方式。**  
 Simple reliable circulation lubrication lubrication way.
- 
**简单可靠的循环润滑方式，包含调压、油滤及水冷系统。**  
 Simple and reliable way of circulation lubrication, including surge tank, oil filter and water cooling system.
- 
**安全保护：转速检测，无油保护，电机过载过热保护，螺旋零差速保护。**  
 Safety protection: speed detection, oil free protection, motor overload overheat protection, spiral zero differential protection.

### 结构示意图 Schematic Diagram



- |         |                       |
|---------|-----------------------|
| ① 壳体    | ① Shell               |
| ② 进料管   | ② Feeding Pipe        |
| ③ 转鼓    | ③ Drum                |
| ④ 螺旋    | ④ Spiral              |
| ⑤ 出液口   | ⑤ Liquid Outlet       |
| ⑥ 出料口   | ⑥ Solid Outlet        |
| ⑦ 转鼓皮带轮 | ⑦ Drum Pulley         |
| ⑧ 差速皮带轮 | ⑧ Differential Pulley |
| ⑨ 水冷器   | ⑨ Water Cooler        |
| ⑩ 底座    | ⑩ Base                |
| ⑪ 减震器   | ⑪ Shock Absorber      |



### 技术参数 Technical Parameters

型号 Model	转鼓直径 Drum Diameter (mm)	转速 Speed(r / min)	处理能力 Processing Capacity(L/H)	分离因数 Separation Factor	电机功率 Power of Motor(kw)	机器重量 Weight (kg)	外形尺寸 Dimension (mm)
MY100	100	6500	20-100	2364	0.4	50	530X370X270
MY150	150	5200	50-300	2270	0.7	120	720X550X420

# YGD系列实验用小型离心机

YGD SERIES SMALL CENTRIFUGE FOR EXPERIMENT

## 工作原理 Operating Principle

该机由机壳、转鼓、底座、减震垫、传动部件等组成，转鼓运转由电机轮通过三角带带动被动轮运转，对于固体含量高的介质先加料后启动，含液量高的介质先启动后加料（YGD、YGT系列可实现在线加料及洗涤功能）。物料通过离心力场的作用均匀的贴合于转鼓壁，液相穿过过滤网经转鼓滤孔而泄，固相则被截留在转鼓内，当达到分离要求后，切断电源（能耗制动或用制动装置使转鼓停止运转），自动停机由人工把料从上部卸出。

The machine is composed of casing, drum, base, shock absorbing pad, transmission parts, etc. The drum operation is driven by the motor wheel through the triangular belt to drive the passive wheel operation. For the medium with high solid content, the medium with high liquid content is started before feeding (YGD and YGT series can realize on-line feeding and washing functions). The material is uniformly fitted to the drum wall through the centrifugal field. The liquid phase is discharged through the filter screen through the drum filter hole, while the solid phase is retained in the drum. When the separation requirements are met, the power supply is cut off (energy consumption braking or braking device makes the drum stop operation), and the material is automatically stopped and discharged from the upper part manually.

# YGD系列实验用小型离心机

YGD SERIES SMALL CENTRIFUGE FOR EXPERIMENT

## 产品概述 Product Description

YGD系列为密闭式结构，机器采用平板大开盖结构，翻盖上有进料管、洗涤管、视镜等，可实现在线加料（如有反应釜，可直接接入离心机），机器运行更平稳，更美观。适用于物料气味强烈，需要密闭操作的环境，整机为不锈钢。

YGD series is a closed structure. The machine adopts a flat plate with a large open cover, and the flip cover is provided with a feeding tube, a washing tube, and a viewing mirror, etc. On-line feeding can be realized (if there is a reaction kettle, it can be directly connected to the centrifuge). The machine runs more smoothly and prettier. It is suitable for the environment with strong smell and need closed operation. The whole machine is stainless steel.

## 适用范围 Applicable Scope

- 1 YGD离心机属于离心式过滤分离，适用于大部分粒度物料的分。YGD centrifuges are centrifugal-type filtration and separation, which are suitable for the separation of most granular materials.





**标准配置 Standard Configuration**

316L不锈钢, 普通电机。  
316L stainless steel, ordinary motor.

**配置选择 Choice of Configuration**

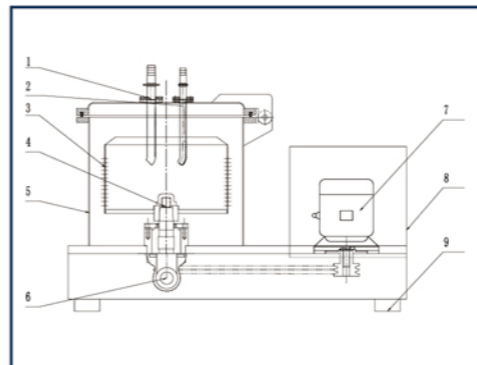
材质 (304不锈钢、钛材、衬塑等)。  
Material (304 stainless steel, titanium, plastic lining, etc.).

洁净型 (符合制药GMP要求)。  
Clean type (in line with pharmaceutical GMP requirements).

防爆电机, 控制柜 (实现变频调速, 能耗制动等功能)。  
Explosion-proof motor, control cabinet (achieve variable frequency speed regulation, energy consumption braking and other functions).

保温隔套 (可通热水或液态二氧化碳等)。  
Insulation jacket (can pass hot water or liquid carbon dioxide, etc.).

**结构示意图 Schematic Diagram**



- |          |                          |
|----------|--------------------------|
| ① 加料管    | ① Feeding Pipe           |
| ② 洗涤管    | ② Washing Pipe           |
| ③ 转鼓总成   | ③ Drum Assembly          |
| ④ 传动总成   | ④ Transmission           |
| ⑤ 外壳     | ⑤ Shell                  |
| ⑥ 出液口    | ⑥ Liquid Outlet          |
| ⑦ 电动机    | ⑦ Motor                  |
| ⑧ 电机防护罩壳 | ⑧ Motor Protection Shell |
| ⑨ 阻尼减震器  | ⑨ Vibration Isolator     |



**技术参数 Technical Parameters**

型号 Model	转鼓直径 Drum Diameter(mm)	转速 Speed(r / min)	分离因素 Separation Factor	工作容积 Swept Volume(L)	装载限量 Load Limited(kg)	电机功率 Power of Motor(kw)	机器重量 Weight (kg)	外形尺寸 Dimension (mm)
YGD200	200	3000	1007	2	3	0.55	75	600X360X350
YGD300	300	2800	1316	10	12	1.1	120	850X500X500
YGD450	450	1900	910	20	30	1.5	280	1000X700X650

# YGT系列实验用小型离心机

YGT SERIES SMALL CENTRIFUGE FOR EXPERIMENT

## 工作原理 Operating Principle

该机由机壳、转鼓、底座、减震垫、传动部件等组成，转鼓运转由电机轮通过三角带带动被动轮运转，对于固体含量高的介质先加料后启动，含液量高的介质先启动后加料（YGD、YGT系列可实现在线加料及洗涤功能）。物料通过离心力场的作用均匀的贴合于转鼓壁，液相穿过过滤网经转鼓滤孔而泄，固相则被截留在转鼓内，当达到分离要求后，切断电源（能耗制动或用制动装置使转鼓停止运转），自动停机由人工把料从上部卸出。

The machine is composed of casing, drum, base, shock absorbing pad, transmission parts, etc. The drum operation is driven by the motor wheel through the triangular belt to drive the passive wheel operation. For the medium with high solid content, the medium with high liquid content is started before feeding (YGD and YGT series can realize on-line feeding and washing functions). The material is uniformly fitted to the drum wall through the centrifugal field. The liquid phase is discharged through the filter screen through the drum filter hole, while the solid phase is retained in the drum. When the separation requirements are met, the power supply is cut off (energy consumption braking or braking device makes the drum stop operation), and the material is automatically stopped and discharged from the upper part manually.

# YGT系列实验用小型离心机

YGT SERIES SMALL CENTRIFUGE FOR EXPERIMENT

## 产品概述 Product Description

YGT为蓝鸟专为可移动实验设计的推车式小型离心机，离心机平台可移动，带控制柜可实现定时关机，调速，能耗制动等功能（可配备防爆控制柜，实现机器整体防爆），底部为加强减震垫及重型带刹车轮，整机更宽，底座更厚实，机器稳如磐石。适用于有移动需求的制药研发中心。

YGT series small filter centrifuge is specialized in movable experiment. The centrifuge is equipped with trolley, moving more convenient. With control cabinet can achieve timing shutdown, speed regulation, energy braking function (can be equipped with explosion-proof control cabinet, to achieve the overall explosion-proof machine), the bottom is to strengthen the shock pad and heavy-duty with brake wheel, the overall wider, thicker base, the machine is as stable as a rock. Suitable for mobile needs of pharmaceutical research and development centers.

## 适用范围 Applicable Scope

- 1 YGT离心机属于离心式过滤分离，适用于大部分粒度物料的分离。  
YGT centrifuges are centrifugal-type filtration and separation, which are suitable for the separation of most granular materials.





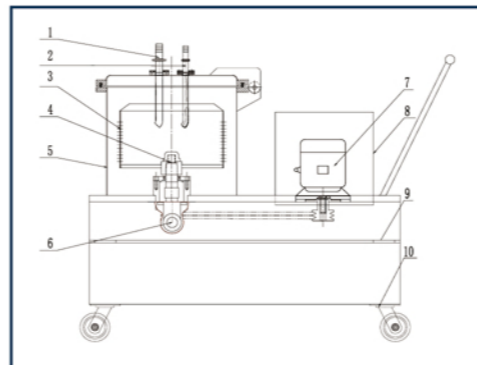
### 标准配置 Standard Configuration

- 316L不锈钢, 普通电机。  
316L stainless steel, ordinary motor.

### 配置选择 Choice of Configuration

- 材质 (304不锈钢、钛材、衬塑等)。  
Material (304 stainless steel, titanium, plastic lining, etc.).
- 洁净型 (符合制药GMP要求)。  
Clean type (in line with pharmaceutical GMP requirements).
- 防爆电机, 控制柜 (实现变频调速, 能耗制动等功能)。  
Explosion-proof motor, control cabinet (achieve variable frequency speed regulation, energy consumption braking and other functions).
- 保温隔套 (可通热水或液态二氧化碳等)。  
Insulation jacket (can pass hot water or liquid carbon dioxide, etc.).

### 结构示意图 Schematic Diagram



- |          |                          |
|----------|--------------------------|
| 1 加料管    | 1 Feeding Pipe           |
| 2 洗涤管    | 2 Washing Pipe           |
| 3 转鼓总成   | 3 Drum Assembly          |
| 4 传动总成   | 4 Transmission           |
| 5 外壳     | 5 Shell                  |
| 6 出液口    | 6 Liquid Outlet          |
| 7 电动机    | 7 Motor                  |
| 8 电机防护罩壳 | 8 Motor Protection Shell |
| 9 阻尼减震器  | 9 Vibration Isolator     |
| 10 推车    | 10 Trolley               |



### 技术参数 Technical Parameters

型号 Model	转鼓直径 Drum Diameter(mm)	转速 Speed(r / min)	分离因素 Separation Factor	工作容积 Swept Volume(L)	装载限量 Load Limited(kg)	电机功率 Power of Motor(kw)	机器重量 Weight (kg)	外形尺寸 Dimension (mm)
YGT200	200	3000	1007	2	3	0.55	90	600X400X1000
YGT300	300	2800	1316	10	12	1.1	160	850X500X1000
YGT450	450	1900	910	20	30	1.5	360	1000X700X1100

BLOVEBIRD CENTRIFUGE



DEDICATED TO THE OVERALL SOLUTION OF  
SEPARATION EQUIPMENT

致力于分离设备整体解决方案

 **蓝鸟离心机**  
BLOVE BIRD BLOVEBIRD CENTRIFUGE