

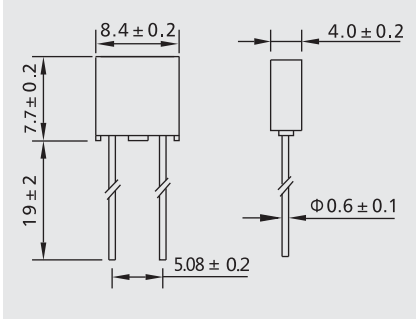
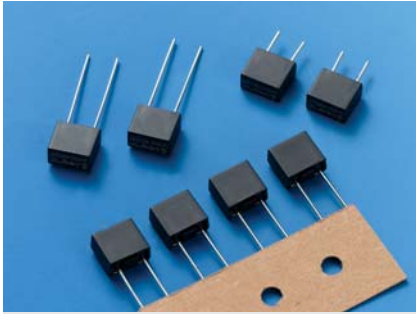


SNT RoHS Compliant



微型保险丝(延时型)

Micro Fuse (Time-Lag) 350V/300V/250V



测试标准:
Testing Standard:
IEC60127-1 IEC60127-3 GB9364.1 GB9364.3

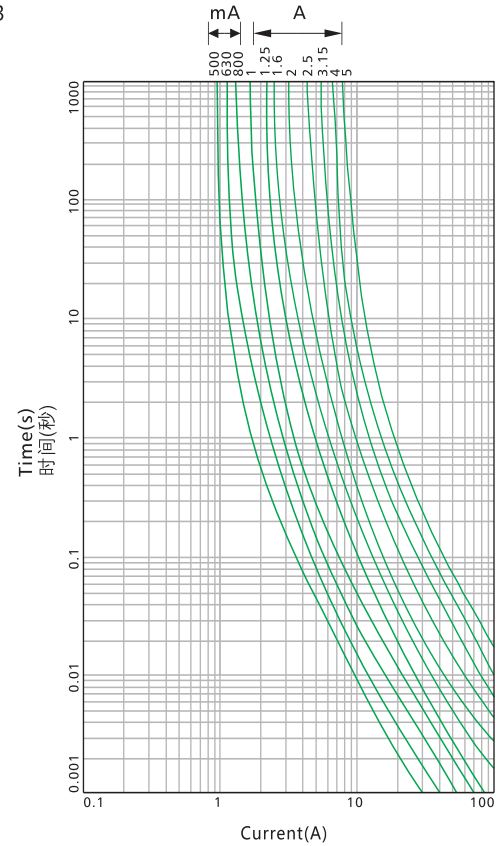
额定分断能力:
Interrupting Rating:
100 Amperes at 250V/300V/350V AC

工作温度:
Operating Temperature:
-55°C ~ +125°C

材料:
Materials:
Case: thermoplastic nylon
Base: thermoplastic nylon
Lead wire: tinned copper wire

焊接方法:
Soldering Method:
Wave soldering: 260°C, 10s max
Manual soldering: 370°C, 5s max

Time-Current Characteristics
电流-时间曲线图



电气特性: Electrical Characteristics

| 额定电流的% % of Ampere Rating | 熔断时间 Opening Time |
|---------------------------|-------------------|
| 210% | 2 min Max(小于2分钟) |
| 275% | 400 ms~10 s |
| 400% | 150 ms~3 s |
| 1000% | 20 ms~150 ms |

目录编号: Catalog No.H:350V G:300V A:250V

| 目录编号 Catalog No. | 额定电流 Ampere Rating | 额定电压 Voltage Rating | 最大电压降(mv) Max Voltage Drop | 熔化热能 ² T Melting Integral (A ² .S) | 认证 Approvals | |
|---------------------|-----------------------|------------------------|-------------------------------|---|--------------|---------|
| | | | | | ● 表示已获认证 | ○ 表示认证中 |
| SNT0100H/G/A | 100mA | 350V/300V/250V | 350 | 0.06 | ● | |
| SNT0125H/G/A | 125mA | 350V/300V/250V | 300 | 0.08 | ● | |
| SNT0160H/G/A | 160mA | 350V/300V/250V | 280 | 0.10 | ● | |
| SNT0200H/G/A | 200mA | 350V/300V/250V | 260 | 0.20 | ● | |
| SNT0250H/G/A | 250mA | 350V/300V/250V | 240 | 0.40 | ● | |
| SNT3150H/G/A | 315mA | 350V/300V/250V | 220 | 0.49 | ● | |
| SNT0400H/G/A | 400mA | 350V/300V/250V | 200 | 0.58 | ● | |
| SNT0500H/G/A | 500mA | 350V/300V/250V | 190 | 0.65 | ● | ● |
| SNT0630H/G/A | 630mA | 350V/300V/250V | 180 | 0.80 | ● | ● |
| SNT0800H/G/A | 800mA | 350V/300V/250V | 160 | 2.8 | ● | ● |
| SNT1100H/G/A | 1A | 350V/300V/250V | 140 | 5.2 | ● | ● |
| SNT1125H/G/A | 1.25A | 350V/300V/250V | 130 | 7.2 | ● | ● |
| SNT1160H/G/A | 1.6A | 350V/300V/250V | 120 | 10 | ● | ● |
| SNT1200H/G/A | 2A | 350V/300V/250V | 100 | 15 | ● | ● |
| SNT1250H/G/A | 2.5A | 350V/300V/250V | 100 | 34 | ● | ● |
| SNT1350H/G/A | 3.15A | 350V/300V/250V | 100 | 51 | ● | ● |
| SNT1400H/G/A | 4A | 350V/300V/250V | 100 | 80 | ● | ○ |
| SNT1500H/G/A | 5A | 350V/300V/250V | 100 | 110 | ● | ○ |
| SNT1630H/G/A | 6.3A | 350V/300V/250V | 100 | 170 | ● | ○ |