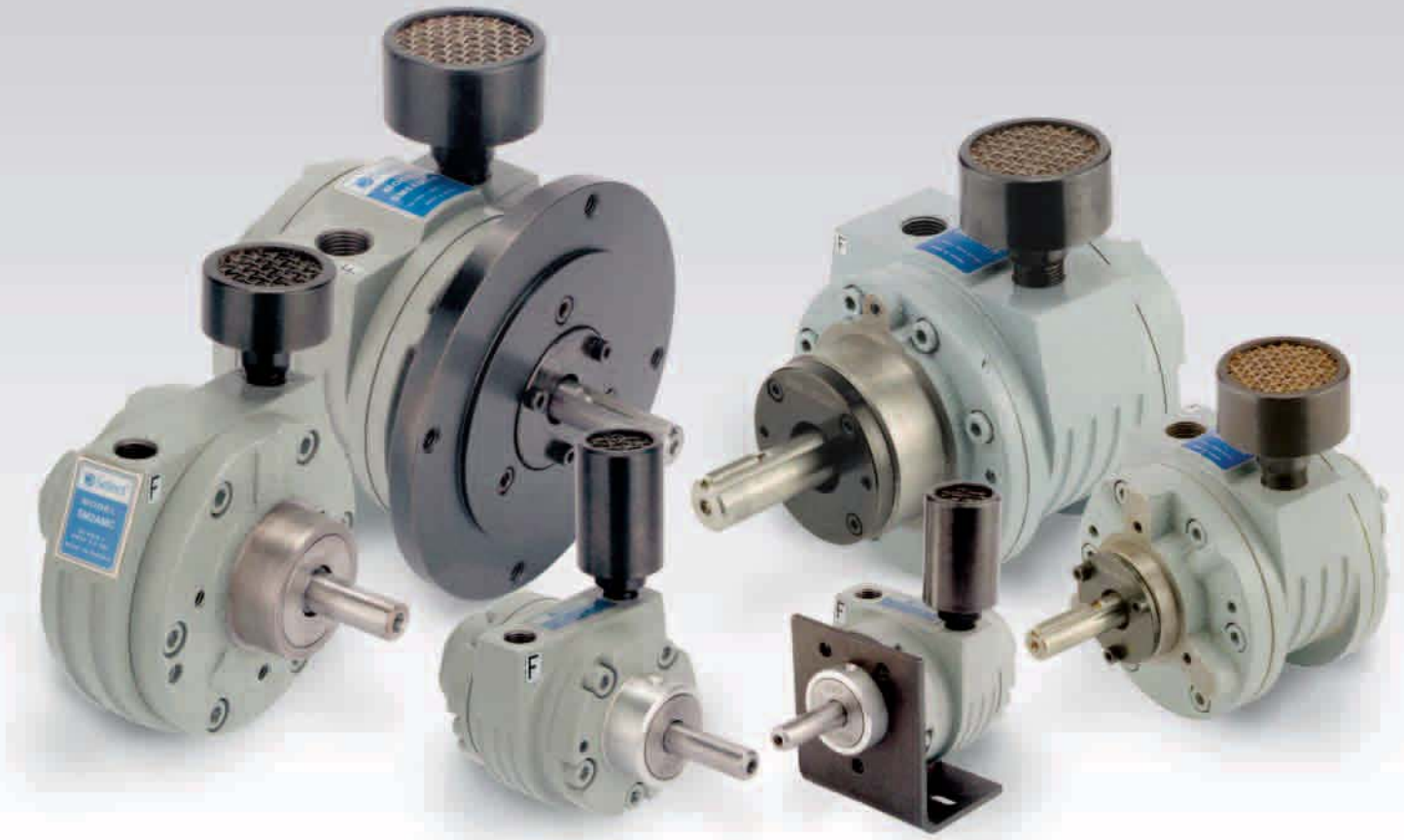


Select™ Series Air Motors

DOBCO
EQUIPMENT LTD

Toll-Free 1-866-763-6226 Phone: 905-672-5557
Fax: 905-672-5559 Email: sales@dobcoeqp.com

.3HP – 5HP Direct Drive Air Motors



IR Ingersoll Rand
Industrial Technologies

 **Select**™
SERIES FLUID PRODUCTS



Toll-Free 1-866-763-6226 Phone: 905-672-5557
Fax: 905-672-5559 Email: sales@dobcoeqp.com

Select Advantages...

Select Series Air Motors are designed for applications where direct drive motors can be utilized and offer several advantages over electric motors and other brands of air motors.

- Select Air Motors have a continuous duty rating. This means the motor can be run continuously or it can start and stop repeatedly in applications where electric motors can burn out.
- Air motor operation is well suited for high temperature and hazardous environments where standard electric motors are not allowed.

Select Series Air Motors can be found in many applications throughout every industry.

- Air Fans
- Air Ventilators
- Concrete Saws
- Drum Deheaders
- Hole Cutters
- Mixers
- Pumps
- Screw Jacks
- Spray Guns



...a Durable and Economic Solution

Specifications



Toll-Free 1-866-763-6226 Phone: 905-672-5557
 Fax: 905-672-5559 Email: sales@dobcoeqp.com

Series	Max Power		Speed at Max Power	Free Speed	Starting Torque		Stall Torque		Air Consumption at Max. Power		Weight	
	hp	kw	rpm	rpm	lb.-ft.	Nm	lb.-ft.	Nm	scfm	m ³ /m	lb.	kg
reversible												
SM1AM	0.33	0.25	7600	15,200	0.29	0.39	0.38	0.52	17	0.5	1.5	0.7
SM1UP	0.60	0.37	6000	12,500	0.45	0.6	0.6	0.81	42	1.2	1.75	0.8
SM2AM	0.88	0.66	3000	8,070	1.7	2.3	2.3	3.1	48	1.4	7.5	3.4
SM4AM	1.5	1.1	3000	7900	2.6	3.5	4.1	5.6	67	1.9	8.25	3.7
SM6AM	3.6	2.7	3000	7900	5.3	7.2	8.7	11.8	120	3.4	16.25	7.4
SM8AM	4.8	3.6	2500	7000	10	13.6	14	19	152	4.3	22.5	10.2

Model Designation Breakout

SM

Select Series Air Motor	Power Series	Shaft/Interface	Rotation	Mounting
Footmount	1AM	A = Round shaft w/ square key	L=Left Hand Bias (CCW)	N=NEMA mount
	1UP	(Round shaft on SM1AM series)	R=Right Hand Bias (CW)	None= Face or
	2AM	B = Round shaft with Woodruff Key (#3)	None=Reversible	(Footmount is an optional accessory)
	4AM	C = Round shaft with flat on the shaft		
	6AM			
	8AM			

Equipment Options

Series	Furnished with Cataloged Models	Optional Accessories
SM1AM	3 Hole Face Mounting Muffler	SM1AM-AG587 Footmount
SM1UP	3 Hole Face Mounting Muffler	SM1AM-AG587 Footmount
SM2AM	3 Hole Face Mounting Muffler NEMA 56C Flange with Model SM2AMAN	SM2AM-AH636 Footmount
SM4AM	3 Hole Face Mounting Muffler NEMA 56C Flange with Model SM4AMAN	SM4AM-AH634 Footmount
SM6AM	3 Hole Face Mounting Muffler NEMA 56C Flange with Model SM6AMAN	SM6AM-AH634 Footmount
SM8AM	3 Hole Face Mounting Muffler NEMA 56C Flange with Model SM8AMAN	SM8AM-AH640 Footmount

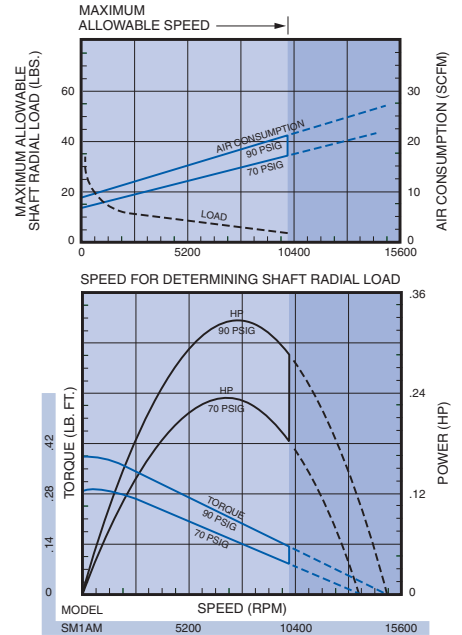
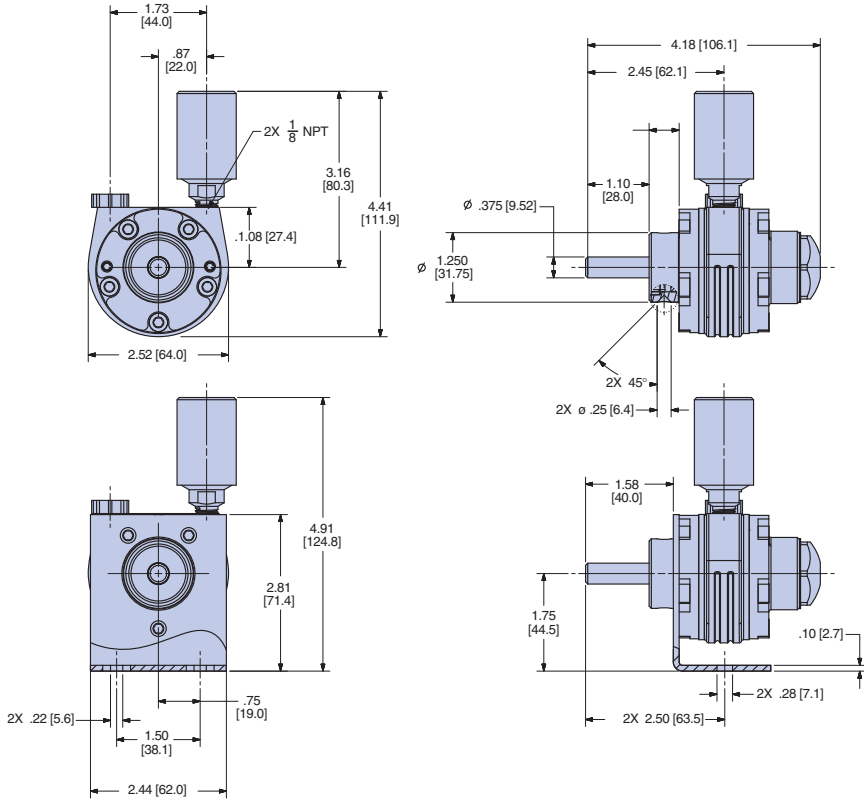
Interchange Chart

Gast Model Style	Select Series Model	Max. Power (hp)	Max. Free Speed (rpm)	Mounting Style
1AM-NCC-12	SM1AMAL	0.33	15,200	Face Mount
1AM-NCW-14	SM1AMA	0.33	15,200	Face Mount
1AM-NRV-39A	SM1AMA	0.33	15,200	Face Mount
1AM-NRV-63A	SM1AMA	0.33	15,200	Face Mount
1UP-NCC-1A	SM1UPCL	0.60	12,500	Face Mount
1UP-NCW-2A	SM1UPCR	0.60	12,500	Face Mount
1UP-NRV-3A	SM1UPC	0.60	12,500	Face Mount
1UP-NRV-10	SM1UPC	0.60	12,500	Face Mount
AG585	SM1AM-AG587	NA	NA	Foot Mount
2AM-NCC-16	SM2AMC	0.88	8,070	Face Mount
2AM-NCC-16F	SM2AMC	0.88	8,070	Face Mount
2AM-NCW-7A	SM2AMC	0.88	8,070	Face Mount
2AM-NCW-7B	SM2AMC	0.88	8,070	Face Mount
2AM-NRV-89	SM2AMC	0.88	8,070	Face Mount
2AM-FCC-1	SM2AMC with SM2AM-AH636	0.88	8,070	Foot Mount
2AM-FCW-13	SM2AMC with SM2AM-AH636	0.88	8,070	Face Mount
2AM-NCC-43A	SM2AMAN	0.88	8,070	NEMA Mount
2AM-NRV-90	SM2AMAN	0.88	8,070	NEMA Mount
4AM-NRV-22B	SM4AMB	1.5	7,900	Face Mount
4AM-NRV-22F	SM4AMB	1.5	7,900	Face Mount
4AM-NRV-54A	SM4AMB	1.5	7,900	Face Mount
4AM-FRV-24	SM4AMB with SM4AM-AH634	1.5	7,900	Foot Mount
4AM-FRV-13C	SM4AMB with SM4AM-AH634	1.5	7,900	Foot Mount
4AM-FRV-13H	SM4AMB with SM4AM-AH634	1.5	7,900	Foot Mount
4AM-FRV-63A	SM4AMB with SM4AM-AH634	1.5	7,900	Foot Mount
4AM-NRV-50C	SM4AMAN	1.5	7,900	NEMA Mount
4AM-NRV-70C	SM4AMAN	1.5	7,900	NEMA Mount
6AM-NRV-7A	SM6AMA	3.6	7,900	Face Mount
6AM-FRV-5A	SM6AMA with SM6AM-AH634	3.6	7,900	Foot Mount
6AM-FRV-23A	SM6AMA with SM6AM-AH634	3.6	7,900	Foot Mount
6AM-NRV-11A	SM6AMAN	3.6	7,900	NEMA Mount
6AM-NRV-22A	SM6AMAN	3.6	7,900	NEMA Mount
8AM-NRV-5B	SM8AMA	4.8	7,000	Face Mount
8AM-NRV-42A	SM8AMA	4.8	7,000	Face Mount
8AM-FRV-2B	SM8AMA with SM8AM-AH640	4.8	7,000	Foot Mount
8AM-FRV-30A	SM8AMA with SM8AM-AH640	4.8	7,000	Foot Mount
8AM-NRV-28A	SM8AMAN	4.8	7,000	NEMA Mount
8AM-NRV-32A	SM8AMAN	4.8	7,000	NEMA Mount

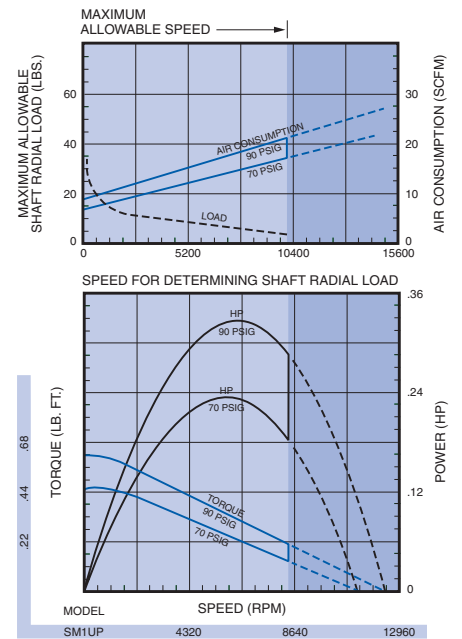
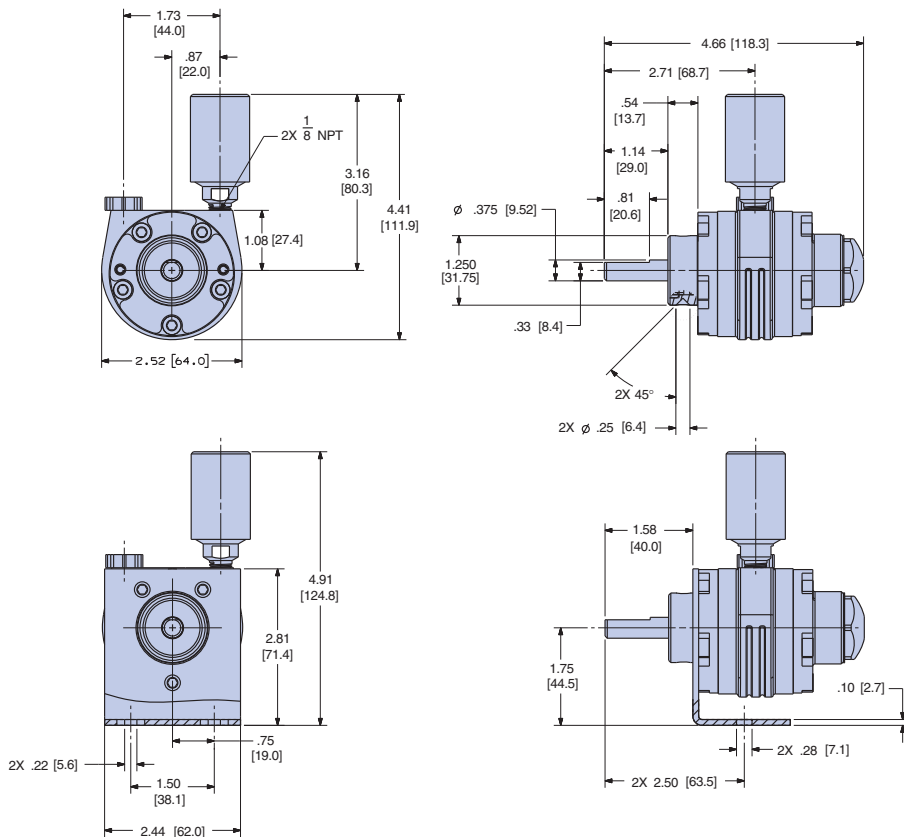


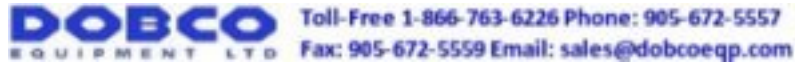
Toll-Free 1-866-763-6226 Phone: 905-672-5557
 Fax: 905-672-5559 Email: sales@dobcoeqp.com

SM1AM and SM1AM-AG587 FOOTMOUNT DIMENSIONS

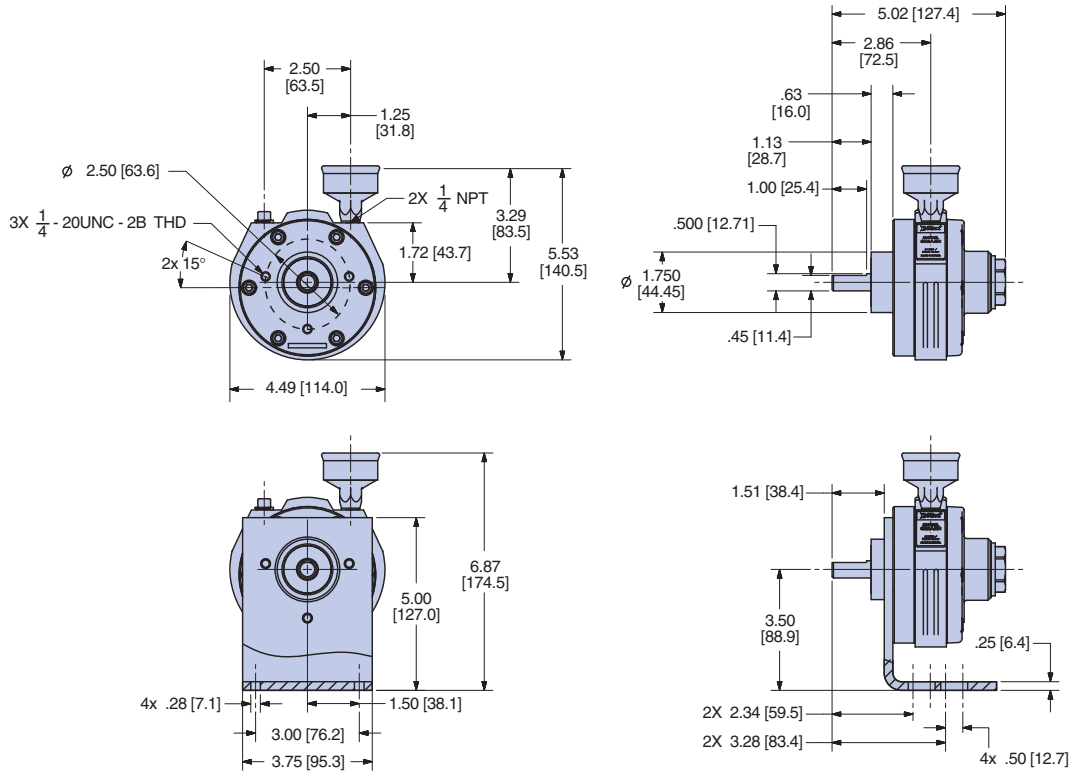


SM1UP and SM1AM-AG587 FOOTMOUNT DIMENSIONS

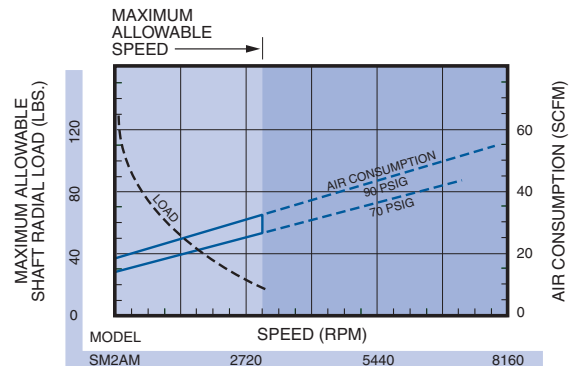
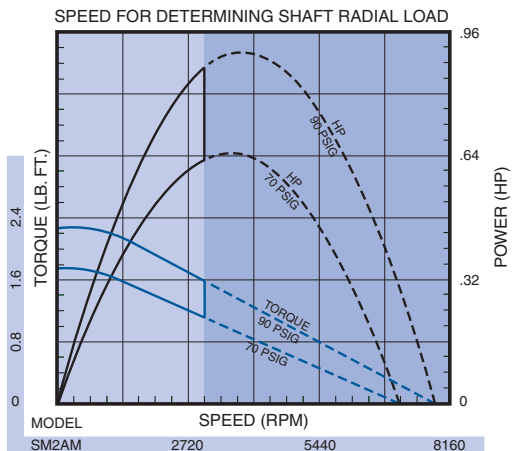
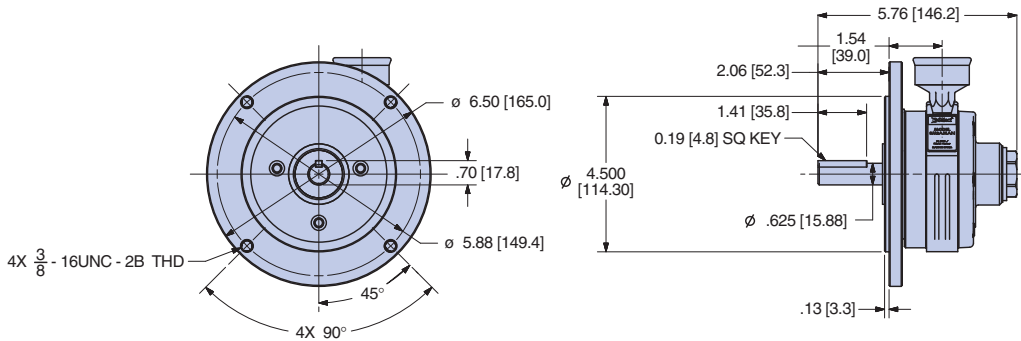




SM2AMC and SM2AM-AH636 FOOTMOUNT DIMENSIONS

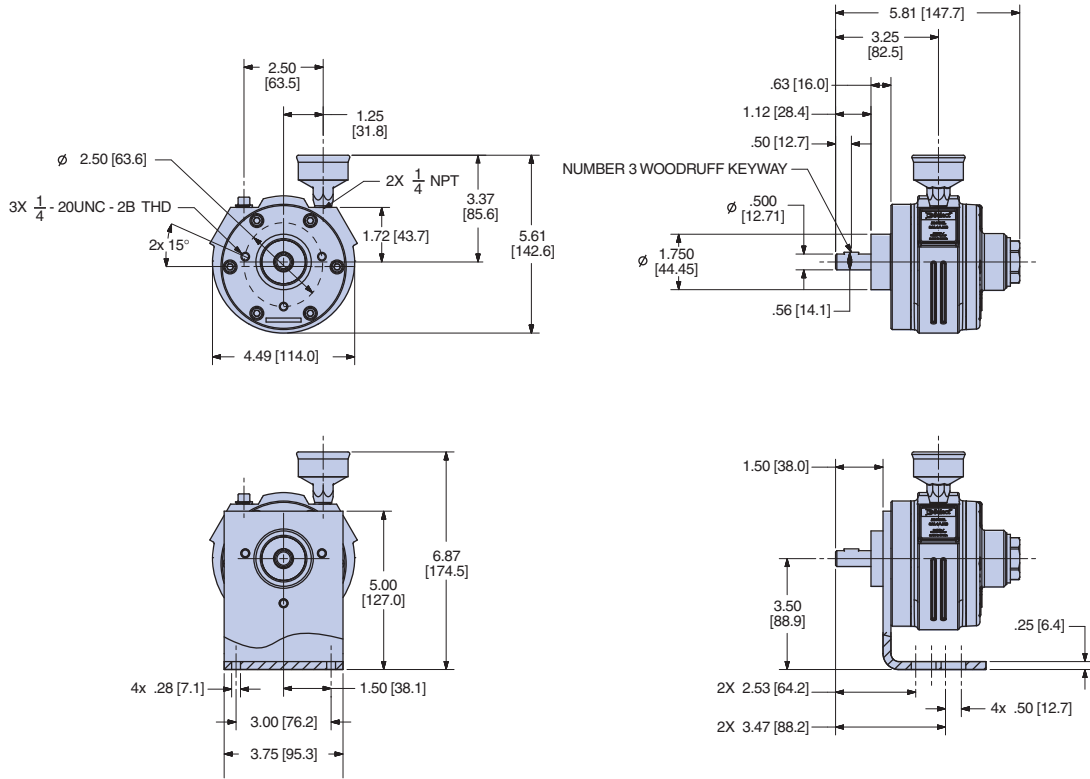


SM2AMAN NEMA MOUNT DIMENSIONS

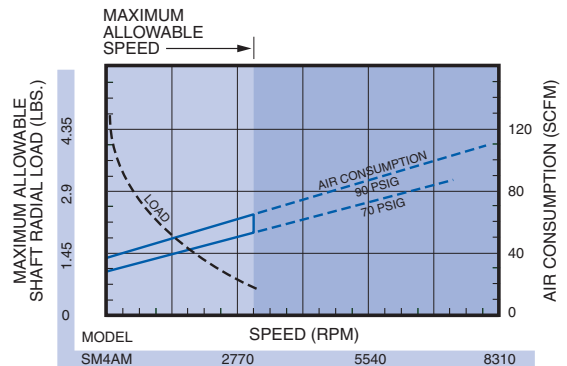
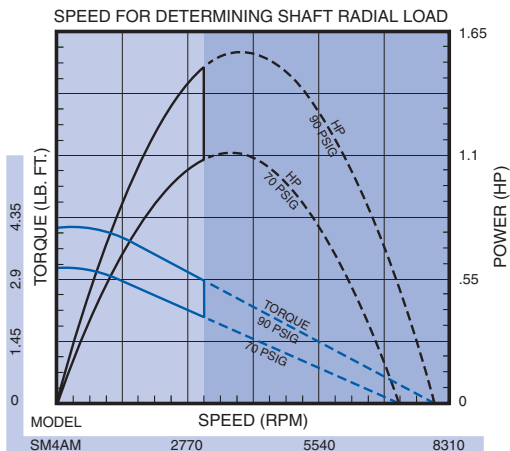
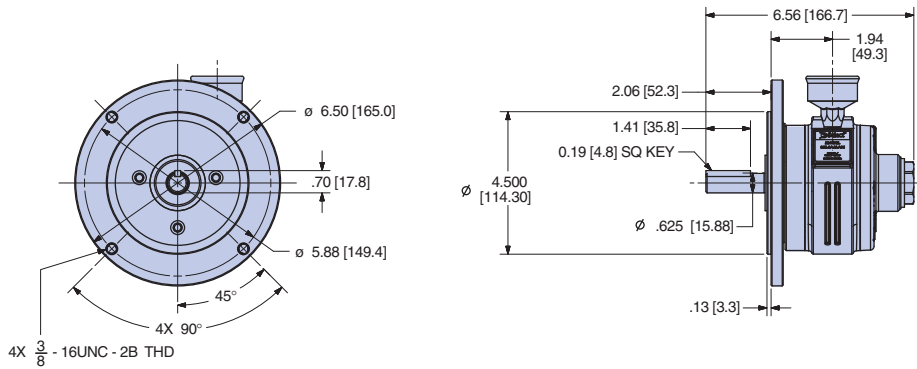


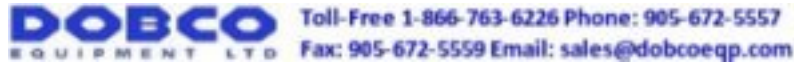


SM4AMB and SM4AM-AH634 FOOTMOUNT DIMENSIONS

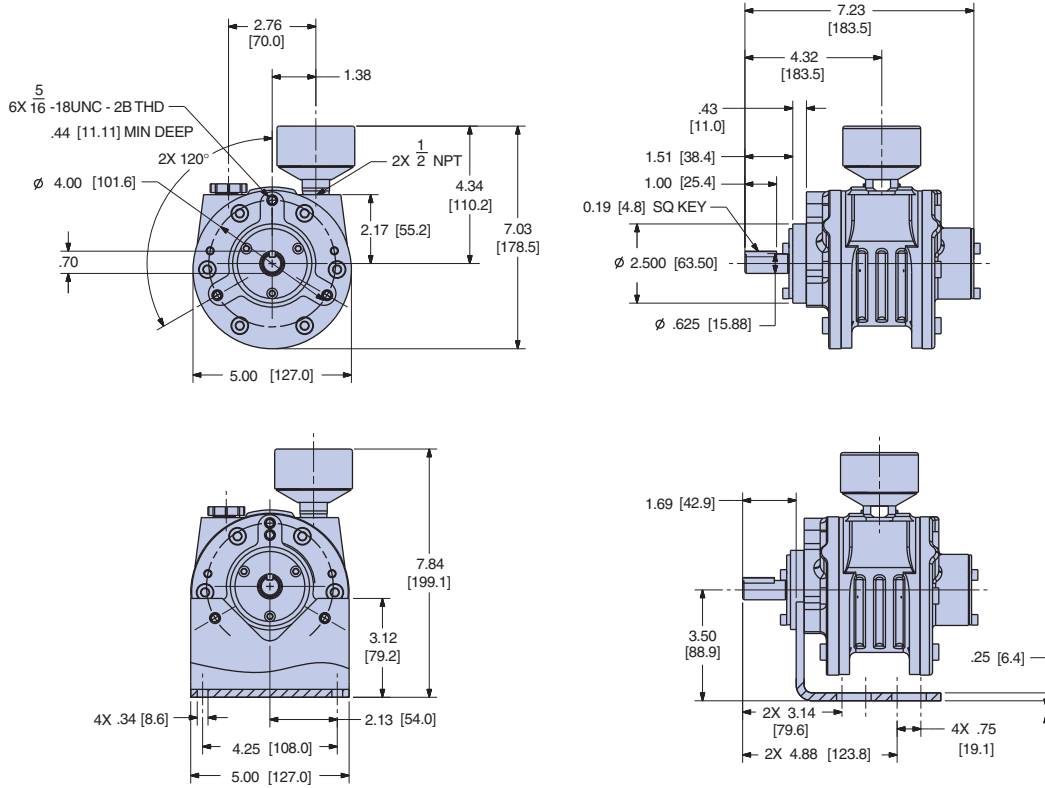


SM4AMAN NEMA MOUNT DIMENSIONS

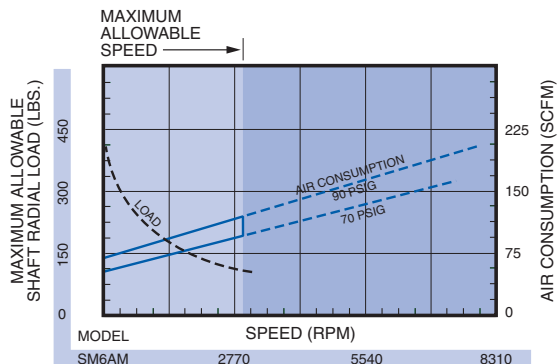
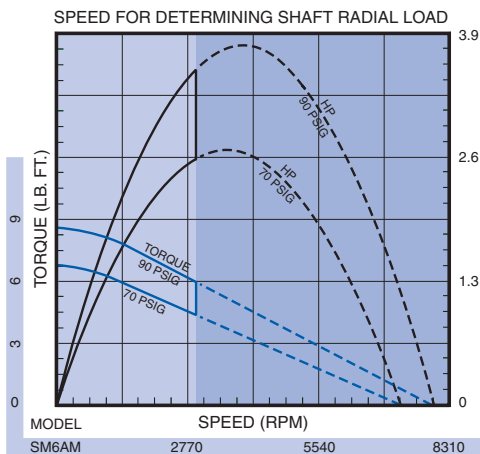
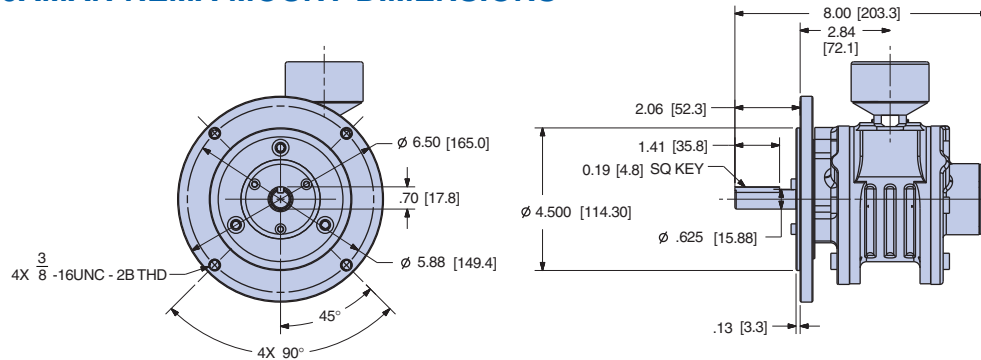




SM6AMA and SM6AM-AH636 FOOTMOUNT DIMENSIONS

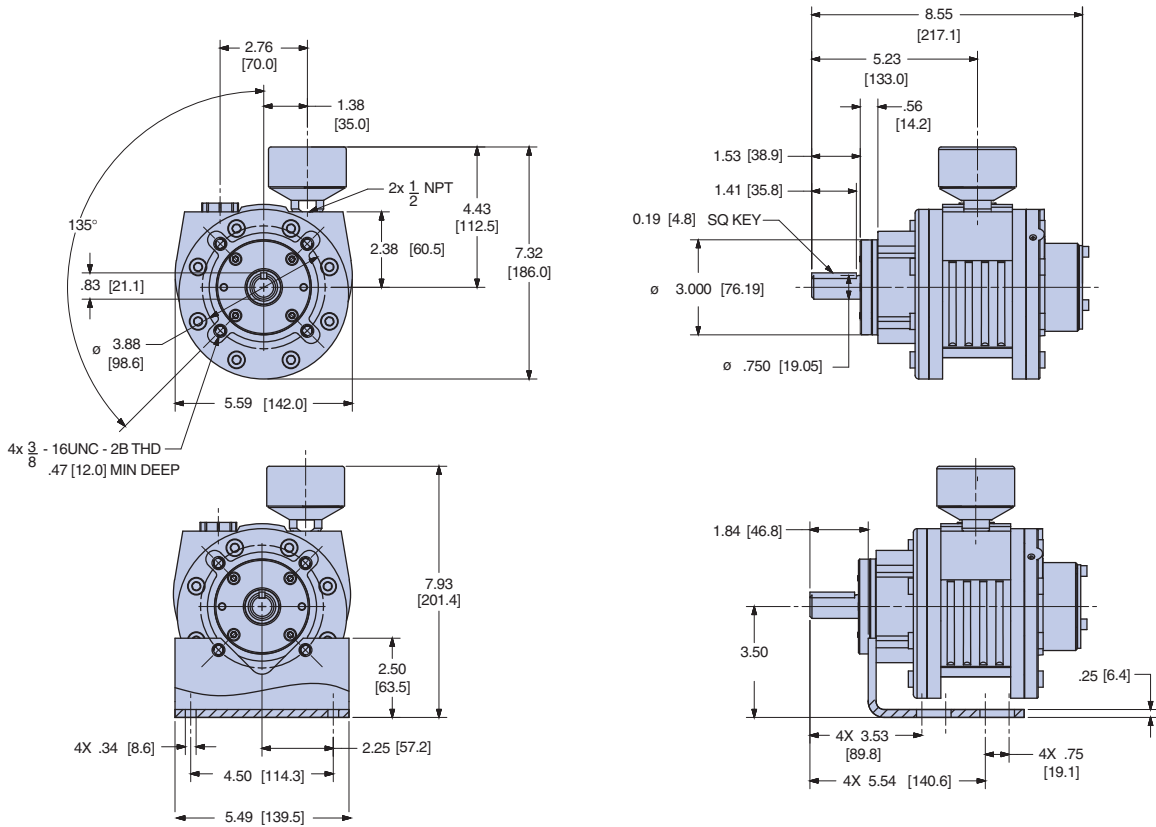


SM6AMAN NEMA MOUNT DIMENSIONS

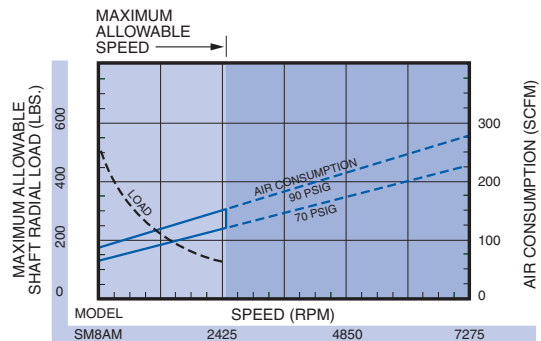
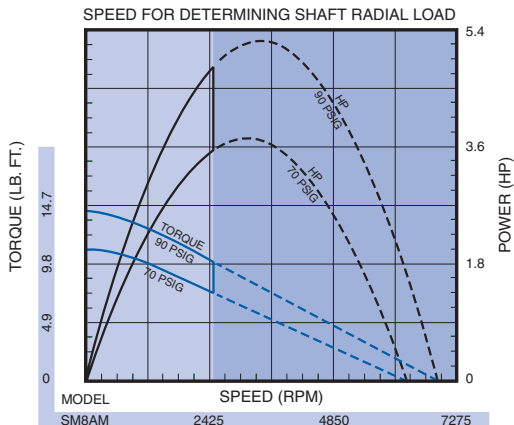
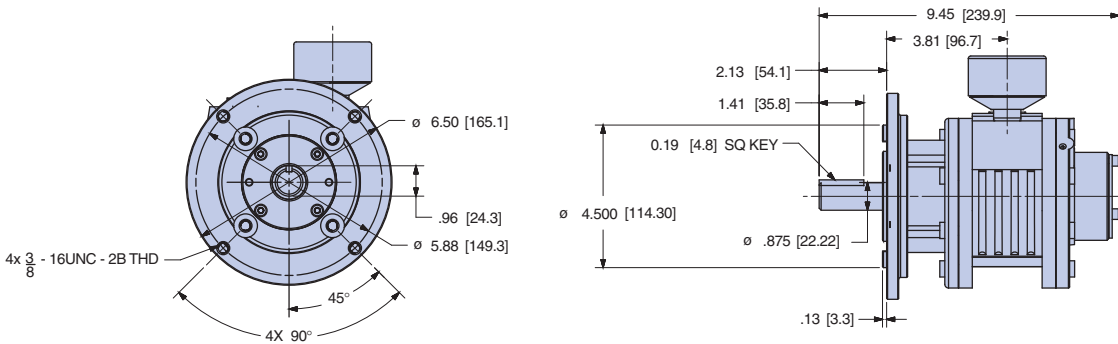


DOBCO EQUIPMENT LTD. Toll-Free 1-866-763-6226 Phone: 905-672-5557
 Fax: 905-672-5559 Email: sales@dobcoeqp.com

SM8AMA AND SM8AM-AH640 FOOTMOUNT DIMENSIONS



SM8AMAN NEMA MOUNT DIMENSIONS





Distributed By:



Toll-Free 1-866-763-6226 Phone: 905-672-5557
Fax: 905-672-5559 Email: sales@dobcoeqp.com

