



杭州中科伺尔沃电机技术有限公司

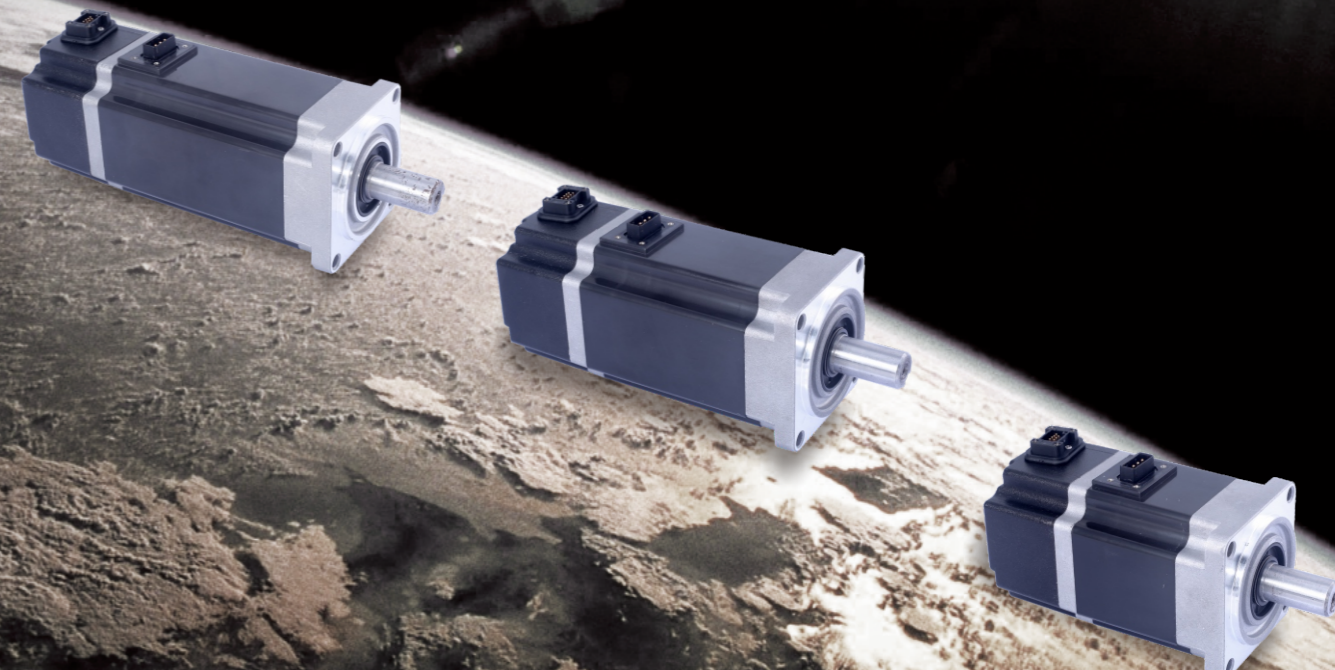
HANGZHOU ZHONGKE E-SERVO TECHNOLOGY CO.,LTD

地址：杭州市大江东临江高新技术产业园区纬五路3688号2幢1-2楼
 Add:1-2Floor,building2,NO.3688kechuan,Avenue,Dajiangdong Linjiang
 Hight-TechZone, Hangzhou
 电话：0571-82929123 传真：0571-82929122
 Tel：0571-82929123 FAX：0571-82929122
 邮箱：info@e-servo.com.cn,sunhanming@e-servo.com.cn
 E-mail：info@e-servo.com.cn,sunhanming@e-servo.com.cn



杭州中科伺尔沃电机技术有限公司

HANGZHOU ZHONGKE E-SERVO TECHNOLOGY CO.,LTD



THE INTELLIGENT SERVO SUPPLIER

智能伺服供应商

杭州中科伺尔沃电机技术有限公司是中国科学院计算技术研究所和宁波智能制造产业研究院联合产业化公司，以伺服电机新结构专利技术为核心和基础，致力于国际中、高端伺服系统开发、生产、销售于一体的高科技公司。

中科伺尔沃依托中科院和宁研院国际的技术交流平台与德国、法国、荷兰、新加坡等发达工业国家的多家工业自动化研究机构、专业公司建立了合作伙伴关系，以确保公司技术及产品的国际先进性。

公司拥有一支国际、国内专家相结合的专业研发团队，具有与世界伺服电机技术同步发展的技术优势，以高水平的技术和管理，为客户提供高性价比的产品与服务。公司的伺服电机产品已被广泛应用于机械手、机器人、离散自动化设备、雕刻机、数控机床、激光加工机、切料设备、木工机械、包装机械、陶瓷机械、电脑绣花机、纺织机械等领域，产品质量和服务受到国内外客户好评。

中科伺尔沃目标成为具有国际影响力的高端伺服电机供应商，并与国内外自动化领域伙伴一起共创自动化辉煌！

Hangzhou Zhongke E-servo Technology Co. Ltd. is the united industrial company as for the Institute of Computing Technology of CAS (Chinese Academy of Science) and the Institute of Intelligent Manufacturing Industry of Ningbo. The core and foundation is the new structure patented technology of servo motor, and committed to the international high-end servosystem development, production and sales in one of the high-tech companies.

E-servo relying on the CAS and Ningbo Institute of international technical exchange platform with Germany, France, Holland, Singapore and other developed industrial countries' a number of industrial automation research institutions, professional companies to establish partnerships, and to ensure the international advantage in technology and products of the company.

The company has an international and domestic experts combined professional R & D team, with the world servo motor technology synchronous development of technical advantages, with high level of technology and management, provide customers with cost-efficient products and services. The company's products servo motor has been extensive used in machine hand, robot, discrete automation equipment, engraving machine, CNC machine, laser machine, cutting equipment, woodworking machinery, packaging machinery, ceramic machinery, computer embroidery machine, textile machinery and other fields, the quality of the products and services praised by domestic and foreign customers.

E-servo aims to become the high-end servo motor suppliers with international influence, and together with partners at home and abroad to create brilliant automation!



五分钟一台电机

五十年一个事业

Five minutes a motor Fifty years a career

中科伺尔沃文化 E-Servo Culture

伺尔沃使命 Servo Mission

发展智能制造技术 引领伺服产业未来

Development of Intelligent Manufacturing Technology Leading Future of Servo Industry

伺尔沃愿景 Servo Vision

以伺服系统技术为核心，发展成为具有国际竞争力的高端伺服系统行业第一品牌

Servo system technology as the core, development as the first brand of high-end Servo system industry with international competitiveness.

伺尔沃核心价值观 Servo Core Value

感恩 责任 分享 服务 平等

Gratitude Responsibility Share Service Equality

伺尔沃价值体系 Servo Value System

道德观--厚德载物，诚信为本

Morality--Social commitment Good faith

财富观-- 客户、员工与伺尔沃合作者是利益共同体；耕者有其田

Financial--Customers, employees, partners is a community of interests; Land to the tiller.

人才观--有德有才，破格重用；有德无才，培养使用；有才无德，-限制录用；无德无才，坚决不用；

Talent--Have both ability and moral, unconventional use; Have moral without ability,training use;Have ability without moral, limited use;Without both moral and ability, never use.

服务观--客户是伺尔沃的衣食父母、有德有才的员工是伺尔沃的合伙人

Service--Customer is our God. Employee is our partner.

质量观-品质追求卓越，对次品零容忍

Quality--Pursuit of Excellence. Defective zero tolerance.

竞争观--积极融入全球智能制造价值网，与合作伙伴共赢发展

Competitive--Actively integrated into the global intelligent manufacturing value network, development and win-win cooperation with partners.

伺尔沃精神 Servo Spirit

变中求进 精益求精

Change in Progressive Constantly Strive for Perfection



Service

To make customer from satisfying to willing, is the ultimate goal of pursuit high quality service in E-servo.

Perfect service system is footstone and guarantee for the E-servo brand and customer commitment. E-servo sets up a number of sales service center in the domestic. So that customers and we have a faster communication channels and demand time becomes shorter and in time. Choose E-servo, choose guarantee and rest assured!

服务

从客户满意到客户愿意，是中科伺尔沃追求优质服务的终极目标。中科伺尔沃视每一个客户为永久性的战略合作伙伴！

完善的服务体系是中科伺尔沃品牌的基石，也是对客户承诺的保障。中科伺尔沃在国内设立了多个销售办事中心。使客户和我们之间有了更快捷的沟通渠道，客户需求时间相应变得更短更及时。选择中科伺尔沃，就是选择保障、选择放心！



实力

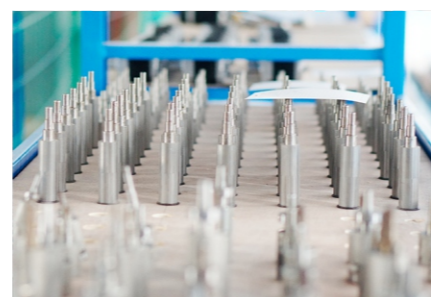
公司拥有一支完善的组织体系，严格按照质量管理体系八大原则运作，对产品的每一道工序严格把关。

公司凝聚了一批高素质的技术人才，在科技创新、产品完善的路上，我们一直在努力！

Strength

The company has a perfect organizational system, strictly in accordance with the eight principles of quality management system operation, strict control of each process of the product.

The company has gathered a batch of high-quality technical talents, and we have been working hard on the road of scientific and technological innovation and product perfection!

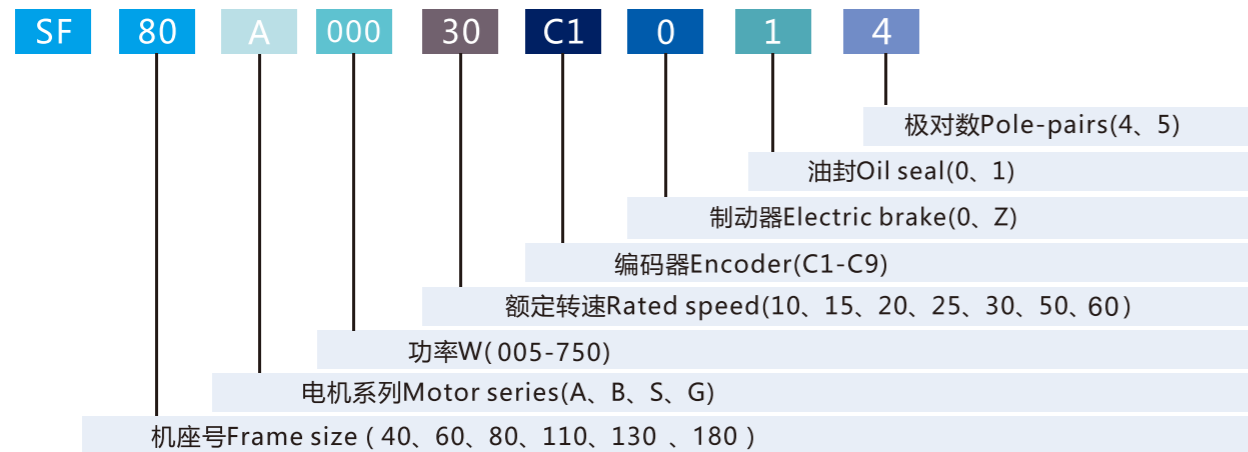


CONTENTS 目录

40A、B系列伺服电机 40A、B Series Servo Motors	03
60A、B、G系列伺服电机 60A、B、G Series Servo Motors	05
60S系列伺服电机 60S Series Servo Motors	07
80A、B系列伺服电机 80A、B Series Servo Motors	09
110S系列伺服电机 110S Series Servo Motors	11
130S系列伺服电机 130S Series Servo Motors	13
180A系列伺服电机 180A Series Servo Motors	15

电机型号判别方法

电机型号判别方法



机座号Frame size

符号Symbol	电机外径Motor diameter
40	40*40mm
60	60*60mm
80	80*80mm
110	110*110mm
130	130*130mm
180	180*180mm

电机系列Motor series

符号Symbol	规格Specification
A	常规系列伺服Conventional series servo
B	低压系列伺服Low voltage servo
S	短款系列伺服Short series servo
G	高速系列伺服High-speed series servo

功率W

符号Symbol	规格Specification	符号Symbol	规格Specification
005	50W	200	2000W
010	100W	230	2300W
020	200W	260	2600W
040	400W	270	2700W
060	600W	290	2900W
073	730W	300	3000W
075	750W	370	3700W
100	1000W	380	3800W
120	1200W	430	4300W
130	1300W	450	4500W
150	1500W	550	5500W
160	1600W	750	7500W
180	1800W		

额定转速Rated speed

符号Symbol	电机转速Motor speed
10	1000RPM
15	1500RPM
20	2000RPM
25	2500RPM
30	3000RPM
50	5000RPM
60	6000RPM

编码器Encoder

符号Symbol	编码器类型Encoder type
C1	9芯省线型增量编码器9 core linear incremental encoder
C2	2500线增量编码器2500 incremental encoder
C3	17位绝对值编码器 17 Bit Absolute encoder
C4	23位绝对值编码器 23 Bit Absolute encoder
C5	20位编码器 20 Bit encoder
C6	增量式5000线 Incremental 5000 wire
C7	经济型编码器Economical incremental encoder
C8	磁编码器 Magnetic Encoder
C9	旋变编码器 Rotary encoder

制动器Electric brake

符号Symbol	制动器选择Brake selection
0	不带失电制动器 Without electricity loss brake
Z	带失电制动器 With electric brake

油封Oil seal

符号Symbol	油封选择Oil seal selection
0	无油封 No oil seal
1	有油封 Oil seal

极对数Pole-pairs

符号Symbol	规格Specification
4	4对极 4Pairs of poles
5	5对极 5Pairs of poles

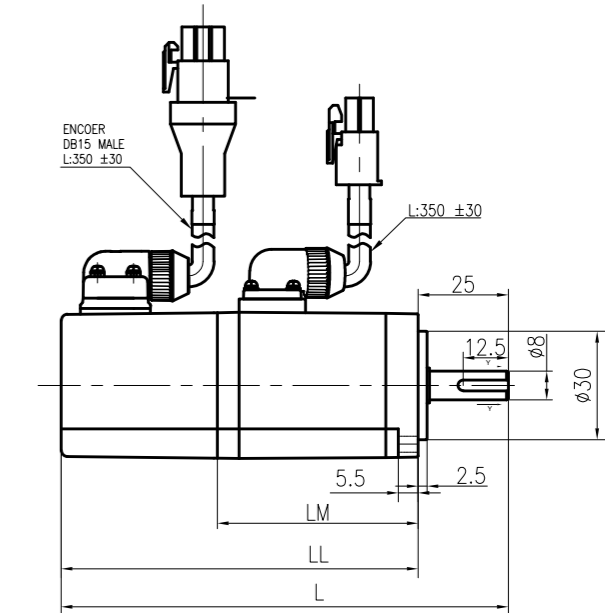
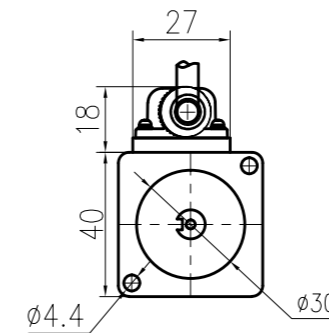


技术参数Specifications

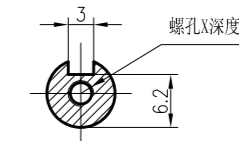
电机型号 Motor model	SF40A00530C2004	SF40B00530C2004	SF40A01030C2004	SF40B01030C2004												
国内通用型号 Domestic general model	40SF-M00130	40SF-M00130	40SF-M00330	40SF-M00330												
适配驱动电压(V) Drive voltage	220	48	220	48												
额定功率(W) Rated output	50	50	100	100												
额定转矩(Nm) Rated torque	0.15	0.15	0.32	0.32												
最大转矩(Nm) Maximum torque	0.45	0.30	0.96	0.70												
额定转速(rpm) Rated speed	3000	3000	3000	3000												
最高转速(rpm) The highest speed	5000	3000	5000	3000												
额定电流(A) Rated current	0.51	1.5	0.8	3.5												
转子惯量(kg.m ²) Rotor inertia	0.021x10 ⁻⁴	0.021x10 ⁻⁴	0.035x10 ⁻⁴	0.035x10 ⁻⁴												
转矩系数(N.m/A) Torque coefficient	0.29	0.1	0.4	0.09												
电气时间常数(ms) Electrical time constant	1.0	1.11	2.3	4.3												
线电阻(Ω) Line resistance	22.5	6.75	13.9	0.95												
线电感(mH) Line inductance	108	7.5	31.9	4.1												
线反电势常数(V/krpm) Line back EMF constant	36.8	9.2	18.6	6.3												
极对数 pole-pairs	4(可选配5对极)															
编码器线数(PPR) Encode resolution	2500(可选配绝对值)															
电机绝缘等级 Insulation class	F															
防护等级 Protection class	Ip65 (IP67可选)															
使用环境 environment conditions	环境温度 Temperature -20°C-50°C		环境湿度 Humidity 小于90% (无结露) non-condensing													
电机绕组插座 Winding socket	绕组引线 Winding Wire	U	V	W	PE											
	插座编号 Socket Number	1	2	3	4											
编码器线侧插座 (绝对值式) Encoder socket	信号公针定义 Signal pin definition	PE	5V	0V	SD+	SD-	VB+	VB-								
	公针排列编号 Male pin number	1	2	3	4	5	6	7								
编码器线侧插座 (十五线式) Encoder socket	信号公针定义 Signal pin definition	PE	5V	0V	B+	Z-	U+	Z+	U-	A+	V+	W+	V-	A-	B-	W-
	公针排列编号 Male pin number	1	2	3	4	5	6	7	8	9	10	11	12	13	14	15

如果您有任何疑问或特殊要求, 请与我们联系
If you have any questions or special requests, please contact us

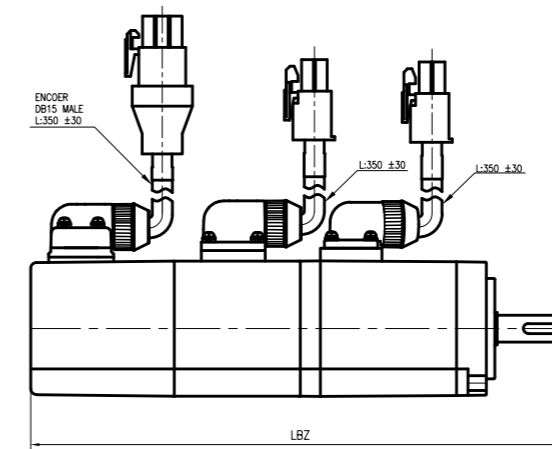
安装尺寸Dimensions(mm)



型号 Model	L	LL	LM	螺孔X深度(选配) Screw*Depth (Selection)	大致重量 weight
SF40A00530C2004	109	84	40.6	M3*6L	0.4
SF40A01030C2004	124	99	55.6	M3*6L	0.5

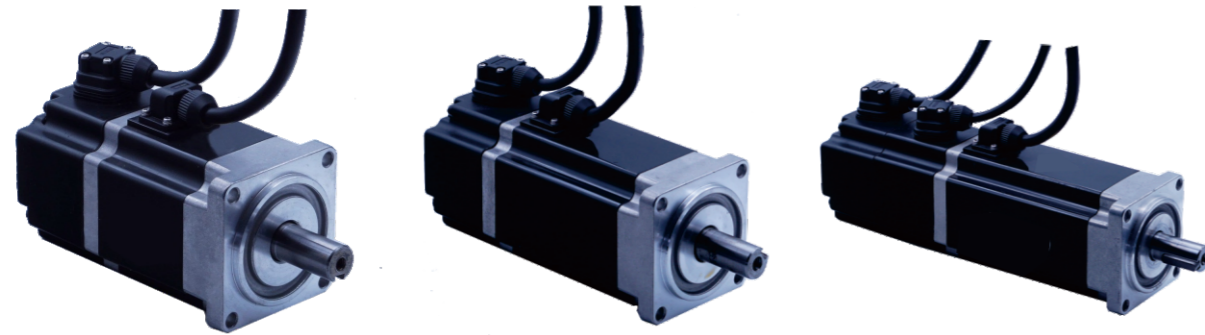


截面Y-Y



型号 Model	LBZ	大致重量 weight
SF40A00530C2Z04	146.3	0.6
SF40A01030C2Z04	161.3	0.8

以上为标准安装尺寸, 可根据客户要求改动 The above standard installation sizes can be changed according to customer requirements
严禁敲击电机轴, 否则会损害轴另一端的编码器 Prohibited percussion motor shaft, otherwise it will undermine the other side of the encoder shaft

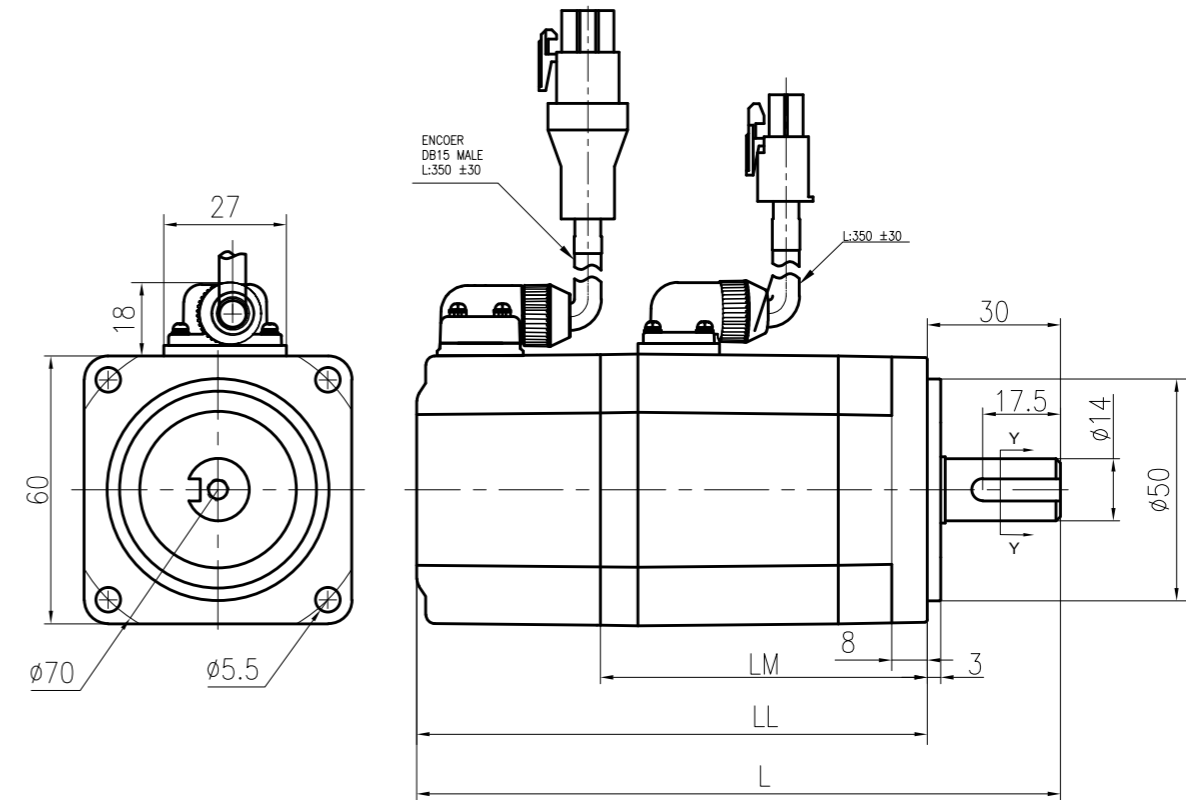


技术参数Specifications

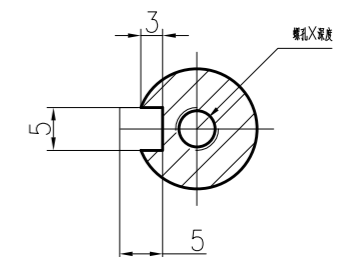
电机型号 Motor model	SF60A02030C2004	SF60B02030C2004	SF60A04030C2004	SF60B04030C2004	SF60A06030C2004	SF60B06030C2004										
国内通用型号 Domestic general model	60SF-M00630	60SF-M00630	60SF-M01330	60SF-M01330	60SF-M01930	60SF-M01930										
适配驱动电压(V) Drive voltage	220	48	220	48	220	80										
额定功率(W) Rated output	200	200	400	400	600	600										
额定转矩(Nm) Rated torque	0.64	0.64	1.27	1.27	1.91	1.91										
最大转矩(Nm) Maximum torque	1.92	1.2	3.81	2.4	5.7	2.9										
额定转速(rpm) Rated speed	3000	3000	3000	3000	3000	3000										
最高转速(rpm) Maximum	5000	3000	5000	3000	5000	3000										
额定电流(A) Rated current	1.1	6.5	2.3	12.8	3.8	13.6										
转子惯量(kg.m2) Rotor inertia	0.264x10 ⁻⁴	0.264x10 ⁻⁴	0.407x10 ⁻⁴	0.407x10 ⁻⁴	0.526x10 ⁻⁴	0.526x10 ⁻⁴										
转矩系数(N.m/A) Torque coefficient	0.58	0.1	0.55	0.1	0.5	0.1										
电气时间常数(ms) Electrical time constant	5.3	11	7.2	14	6.6	13.2										
线电阻(Ω) Line resistance	8.87	0.33	2.94	0.15	3.03	0.68										
线电感(mH) Line inductance	46.6	3.7	21.28	2.1	20.13	9.0										
线反电势常数(V/krpm) Line back EMF constant	32	6	29.8	6.6	36	12.2										
极对数 pole-pairs	4(可选配5对极)															
编码器线数(PPR) Encode resolution	2500(可选配绝对值)															
电机绝缘等级 Insulation class	F															
防护等级 Protection class	Ip65 (IP67可选)															
使用环境 environment conditions	环境温度 Temperature		-20°C-50°C		环境湿度 Humidity		小于90% (无结露) non-condensing									
电机绕组插座 Winding socket	绕组引线 Winding Wire	U		V		W		PE								
	插座编号 Socket Number	1		2		3		4								
编码器线侧插座 (绝对值式) Encoder socket	信号公针定义 Signal pin definition	PE	5V	0V	SD+	SD-	VB+	VB-								
	公针排列编号 Male pin number	1	2	3	4	5	6	7								
编码器线侧插座 (十五线式) Encoder socket	信号公针定义 Signal pin definition	PE	5V	0V	B+	Z-	U+	Z+	U-	A+	V+	W+	V-	A-	B-	W-
	公针排列编号 Male pin number	1	2	3	4	5	6	7	8	9	10	11	12	13	14	15

如果您有任何疑问或特殊要求, 请与我们联系
If you have any questions or special requests, please contact us

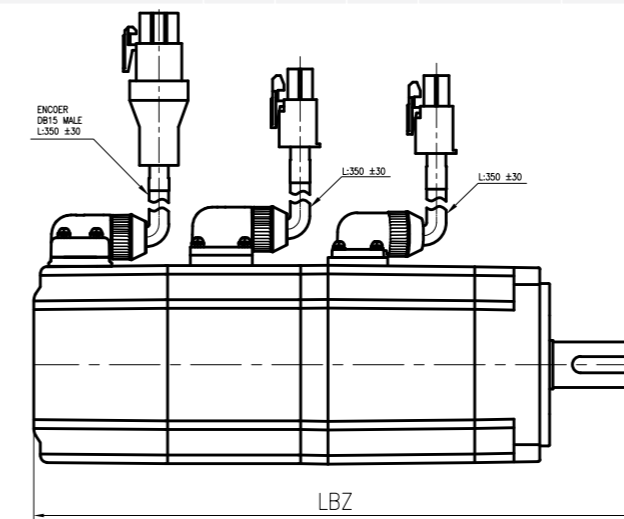
安装尺寸Dimensions(mm)



型号 Model	L	LL	LM	螺孔X深度(选配) Screw*Depth (Selection)	大致重量 Weight
SF60A02030C2004	145	115	73.6	M5*10L	1.3
SF60A04030C2004	173	143	106.6	M5*10L	1.8
SF60A06030C2004	189	159	117.6	M5*10L	2.1

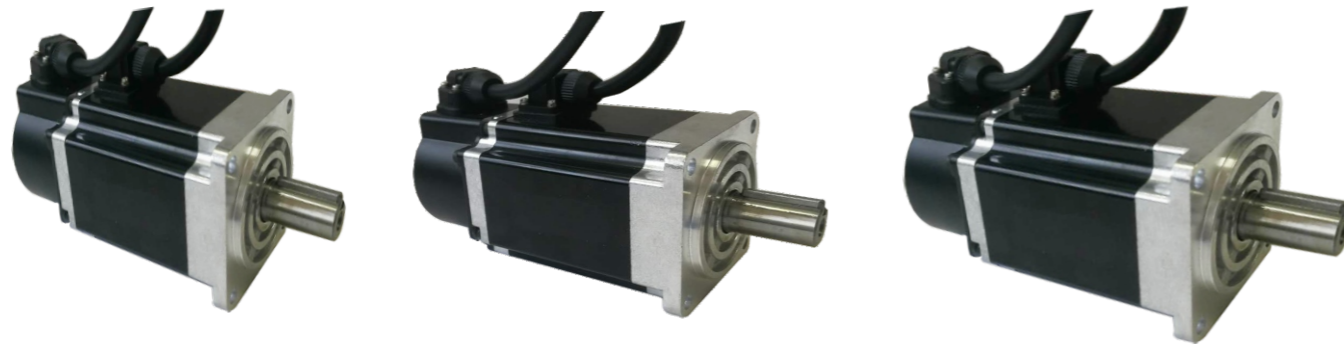


截面Y-Y



型号 Model	LBZ	大致重量 Weight
SF60A02030C2Z04	185.8	1.7
SF60A04030C2Z04	213.8	2.3
SF60A06030C2Z04	229.8	2.6

以上为标准安装尺寸, 可根据客户要求改动 The above standard installation sizes can be changed according to customer requirements
严禁敲击电机轴, 否则会损害轴另一端的编码器 Prohibited percussion motor shaft, otherwise it will undermine the other side of the encoder shaft

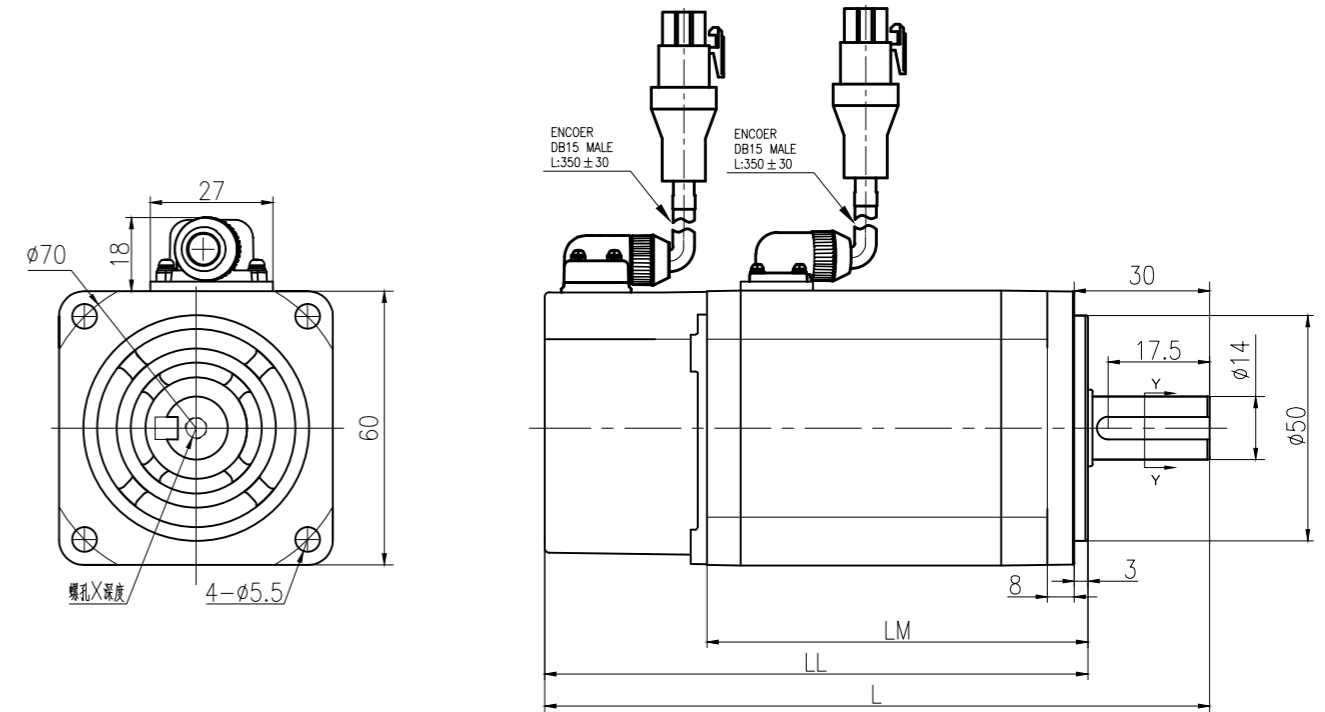


技术参数Specifications

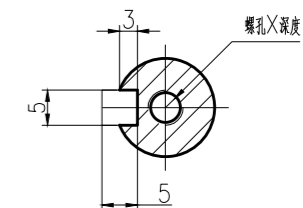
电机型号 Motor model	SF60S01030C1005	SF60S02030C1005	SF60S04030C1005													
国内通用型号 Domestic general model	60SF-M00330	60SF-M00630	60SF-M01330													
适配驱动电压(V) Drive voltage	220	220	220													
额定功率(W) Rated output	100	200	400													
额定转矩(Nm) Rated torque	0.33	0.64	1.27													
最大转矩(Nm) Maximum torque	0.96	1.92	3.81													
额定转速(rpm) Rated speed	3000	3000	3000													
最高转速(rpm) Maximum	5000	5000	5000													
额定电流(A) Rated current	0.9	1.7	3.0													
转子惯量(kg.m ²) Rotor inertia	0.102x10 ⁻⁴	0.183x10 ⁻⁴	0.347x10 ⁻⁴													
转矩系数(N.m/A) Torque coefficient	0.35	0.38	0.42													
电气时间常数(ms) Electrical time constant	4.5	3.1	6.2													
线电阻(Ω) Line resistance	12.2	5.45	2.45													
线电感(mH) Line inductance	55	17	15.3													
线反电势常数(V/krpm) Line back EMF constant	25	23	24													
极对数 pole-pairs	5对极															
编码器线数(PPR) Encode resolution	2500(可选配绝对值)															
电机绝缘等级 Insulation class	F															
防护等级 Protection class	Ip65 (IP67可选)															
使用环境 environment conditions	环境温度 Temperature	-20°C-50°C	环境湿度 Humidity	小于90% (无结露) non-condensing												
电机绕组插座 Winding socket	绕组引线 Winding Wire	U	V	W	PE											
	插座编号 Socket Number	1	2	3	4											
编码器线侧插座 (绝对值式) Encoder socket	信号公针定义 Signal pin definition	PE	5V	0V	SD+	SD-	VB+	VB-								
	公针排列编号 Male pin number	1	2	3	4	5	6	7								
编码器线侧插座 (十五线式) Encoder socket	信号公针定义 Signal pin definition	PE	5V	0V	B+	Z-	U+	Z+	U-	A+	V+	W+	V-	A-	B-	W-
	公针排列编号 Male pin number	1	2	3	4	5	6	7	8	9	10	11	12	13	14	15

如果您有任何疑问或特殊要求, 请与我们联系
If you have any questions or special requests, please contact us

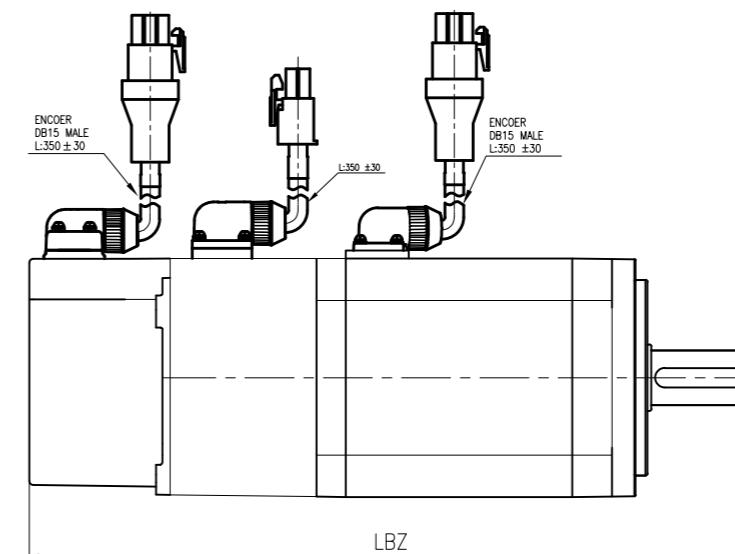
安装尺寸Dimensions(mm)



型号 Model	L	LL	LM	螺孔X深度(选配) Screw*Depth (Selection)	大致重量 weight
SF60S01030C1005	112	82	50.5	M5*10L	0.7
SF60S02030C1005	121	91	59.5	M5*10L	1.1
SF60S04030C1005	143	113	81.5	M5*10L	1.4



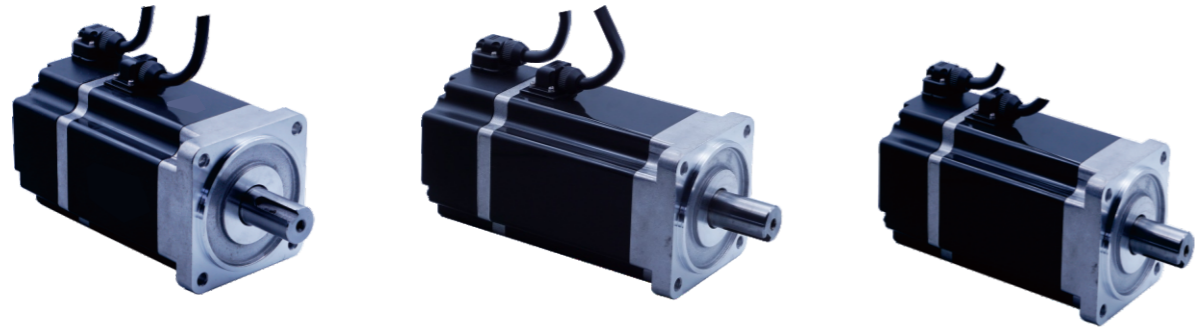
截面Y-Y



型号 Model	LBZ	大致重量 weight
SF60S01030C1Z05	150.4	1.1
SF60S02030C1Z05	158.4	1.4
SF60S04030C1Z05	180.4	1.8

以上为标准安装尺寸, 可根据客户要求改动 The above standard installation sizes can be changed according to customer requirements

严禁敲击电机轴, 否则会损害轴另一端的编码器 Prohibited percussion motor shaft, otherwise it will undermine the other side of the encoder shaft

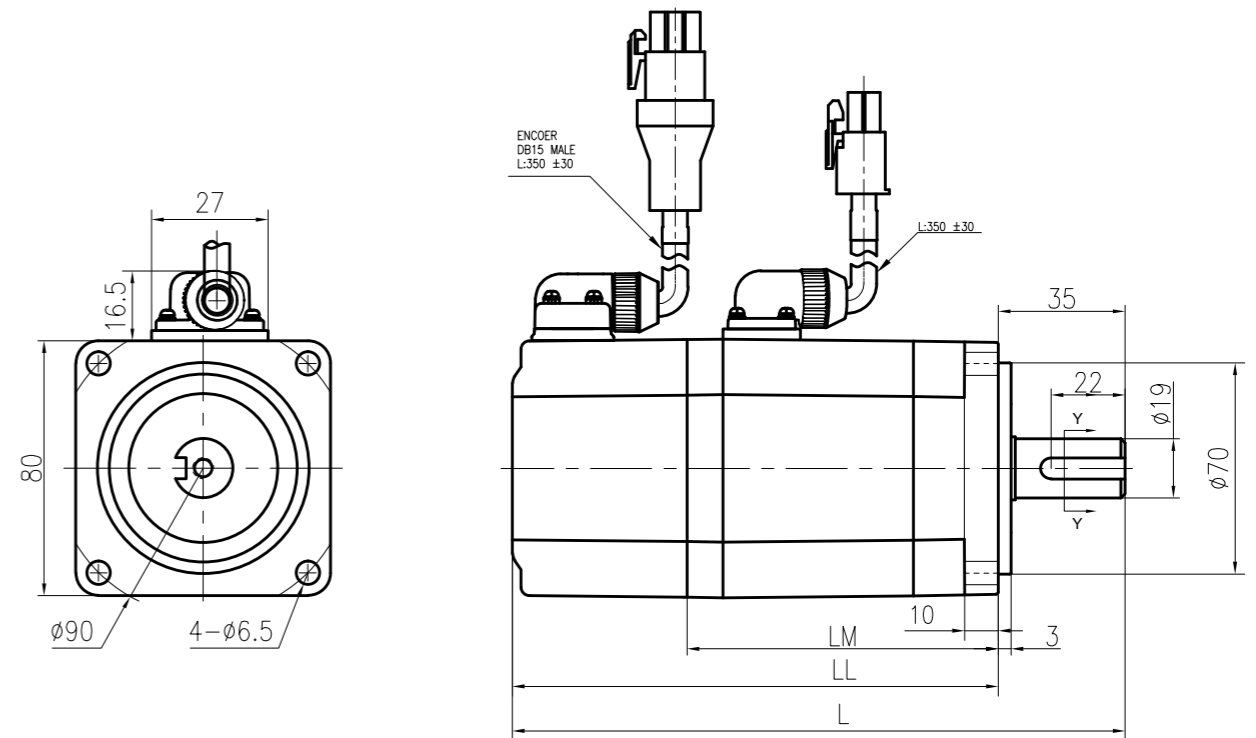


技术参数Specifications

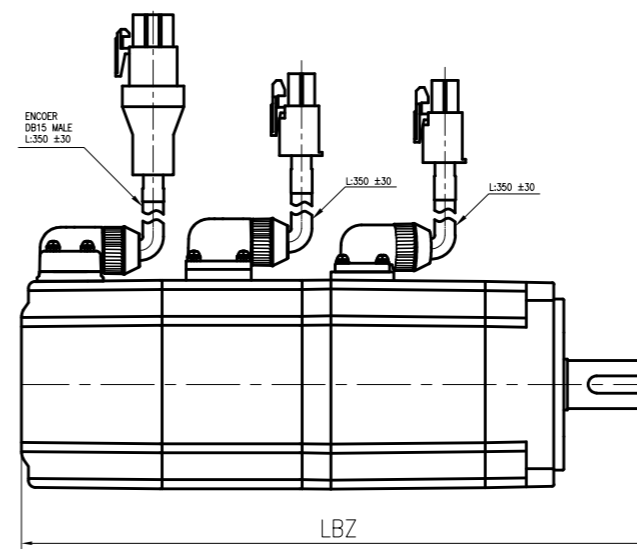
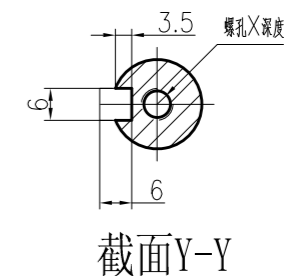
电机型号 Motor model	SF80A07530C2004	SF80B07530C2004	SF80A10030C2004	SF80A07330C2004												
国内通用型号 Domestic general model	80SF-M02430	80SF-M02430	80SF-M03330	80SF-M03520												
适配驱动电压(V) Drive voltage	220	48	220	220												
额定功率(W) Rated output	750	750	1000	730												
额定转矩(Nm) Rated torque	2.39	2.39	3.18	3.5												
最大转矩(Nm) Maximum torque	7.2	3.8	9.6	10.5												
额定转速(rpm) Rated speed	3000	3000	3000	2000												
最高转速(rpm) Maximum	5000	5000	5000	3000												
额定电流(A) Rated current	4.2	20	4.5	4.5												
转子惯量(kg.m ²) Rotor inertia	0.924x10 ⁻⁴	0.924x10 ⁻⁴	1.207x10 ⁻⁴	1.207x10 ⁻⁴												
转矩系数(N.m/A) Torque coefficient	0.6	0.2	0.71	0.77												
电气时间常数(ms) Electrical time constant	12.3	11.5	11.2	25.9												
线电阻(Ω) Line resistance	1.47	0.026	1.26	1.66												
线电感(mH) Line inductance	18.1	0.3	14.14	43												
线反电势常数(V/krpm) Line back EMF constant	40.8	6.5	43.3	49.2												
极对数 pole-pairs	4(可选配5对极)															
编码器线数(PPR) Encode resolution	2500(可选配绝对值)															
电机绝缘等级 Insulation class	F															
防护等级 Protection class	Ip65 (IP67可选)															
使用环境 environment conditions	环境温度 Temperature -20°C-50°C		环境湿度 Humidity 小于90% (无结露) non-condensing													
电机绕组插座 Winding socket	绕组引线 Winding Wire	U		V	W	PE										
	插座编号 Socket Number	1		2	3	4										
编码器线侧插座 (绝对值式) Encoder socket	信号公针定义 Signal pin definition	PE	5V	0V	SD+	SD-	VB+	VB-								
	公针排列编号 Male pin number	1	2	3	4	5	6	7								
编码器线侧插座 (十五线式) Encoder socket	信号公针定义 Signal pin definition	PE	5V	0V	B+	Z-	U+	Z+	U-	A+	V+	W+	V-	A-	B-	W-
	公针排列编号 Male pin number	1	2	3	4	5	6	7	8	9	10	11	12	13	14	15

如果您有任何疑问或特殊要求, 请与我们联系
If you have any questions or special requests, please contact us

安装尺寸Dimensions(mm)

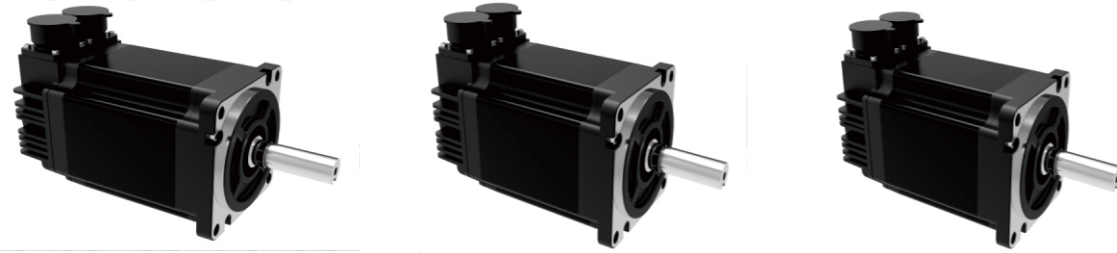


型号 Model	L	LL	LM	螺孔X深度(选配) Screw*Depth (Selection)	大致重量 Weight
SF80A07530C2004	198	144.5	103	M5*10L	3.0
SF80A10030C2004	198	163.5	121	M5*10L	3.6
SF80A07320C2004	198	163.5	121	M5*10L	3.6



型号 Model	LBZ	大致重量 Weight
SF80A07530C2Z04	222.9	3.76
SF80A10030C2Z04	240.9	4.4
SF80A07320C2Z04	240.9	4.4

以上为标准安装尺寸, 可根据客户要求改动 The above standard installation sizes can be changed according to customer requirements
严禁敲击电机轴, 否则会损害轴另一端的编码器 Prohibited percussion motor shaft, otherwise it will undermine the other side of the encoder shaft

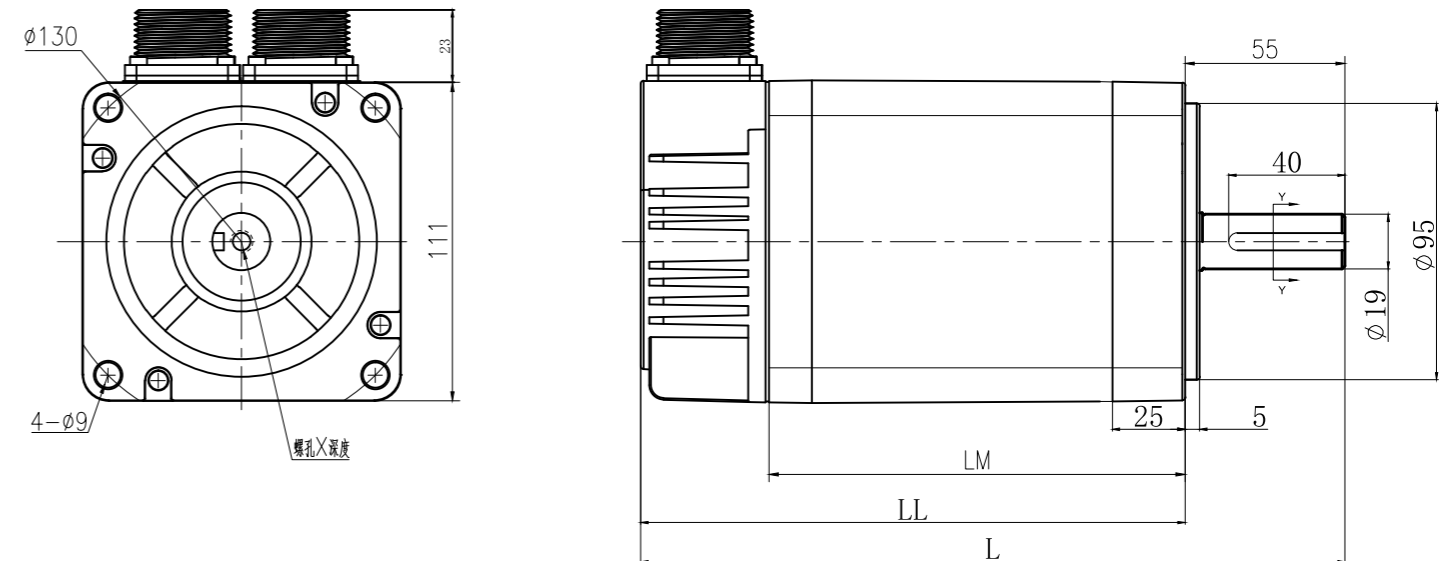


技术参数Specifications

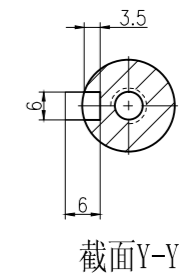
电机型号 Motor model	SF110S08020C2014	SF110S12030C2014	SF110S10020C2014	SF110S15030C2014	SF110S12020C2014	SF110S18030C2014										
国内通用型号 Domestic general model	110SF-M04020	110SF-M04030	110SF-M05020	110SF-M05030	110SF-M06020	110SF-M06030										
适配驱动电压(V) Drive voltage	220V(可选配380V)															
额定功率 (KW) Rated output	0.8	1.2	1.0	1.5	1.2	1.8										
额定转矩(Nm) Rated torque	4	4	5	5	6	6										
最大转矩(Nm) Maximum torque	12	12	15	15	18	18										
额定转速(rpm) Rated speed	2000	3000	2000	3000	2000	3000										
最高转速(rpm) Maximum	3000	3500	3000	3000	3000	3500										
额定电流(A) Rated current	3.5	4.5	4	5.5	6	7										
转子惯量(kg.m ²) Rotor inertia	7.62x10 ⁻⁴	7.62x10 ⁻⁴	9.45x10 ⁻⁴	9.45x10 ⁻⁴	11.33x10 ⁻⁴	11.33x10 ⁻⁴										
转矩系数(N.m/A) Torque coefficient	1.14	0.89	1.25	0.91	1	0.85										
电气时间常数(ms) Electrical time constant	8.8	8.3	8.9	13.2	9.6	26.0										
线电阻(Ω) Line resistance	2.3	1.5	1.7	0.9	1.0	0.46										
线电感(mH) Line inductance	20.276	12.468	15.265	11.936	9.593	12.0										
线反电势常数(V/krpm) Line back EMF constant	79	49	60	49	56.5	42										
极对数 pole-pairs	4对极															
编码器线数(PPR) Encode resolution	2500(可选配绝对值)															
电机绝缘等级 Insulation class	F															
防护等级 Protection class	Ip65 (IP67可选)															
使用环境 environment conditions	环境温度 Temperature		-20°C-50°C		环境湿度 Humidity		小于90% (无结露) non-condensing									
电机绕组插座 Winding socket	绕组引线 Winding Wire	PE	5V	0V	SD+	SD-	VB+	VB-								
	插座编号 Socket Number	1	2	3	4	5	6	7								
编码器线侧插座 (绝对值式) Encoder socket	信号公针定义 Signal pin definition	PE	5V	0V	A+	B+	Z+	A-	B-	Z-	U+	V+	W+	U-	V-	W-
	公针排列编号 Male pin number	1	2	3	4	5	6	7	8	9	10	11	12	13	14	15

如果您有任何疑问或特殊要求, 请与我们联系
If you have any questions or special requests, please contact us

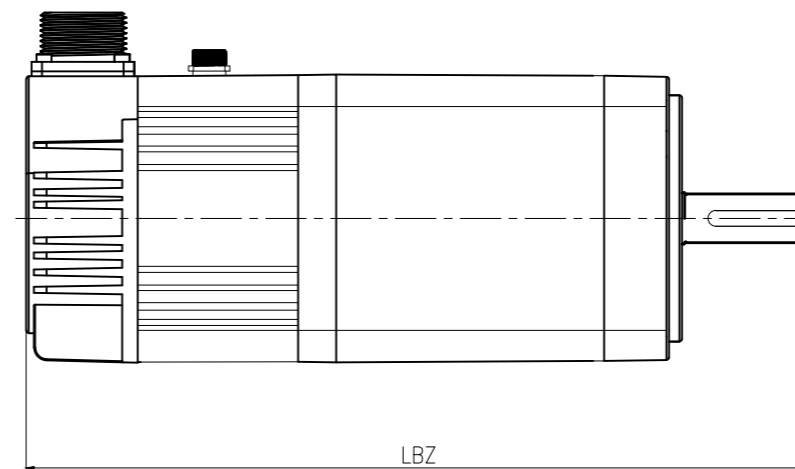
安装尺寸Dimensions(mm)



型号 Model	L	LL	LM	螺孔X深度(选配) Screw*Depth (Selection)	大致重量 weight
SF110S12030C2014	210	155	109.8	M6*15L	6.0
SF110S15030C2014	225	170	124.8	M6*15L	6.9
SF110S18030C2014	243	188	142.8	M6*15L	8.2



截面Y-Y



型号 Model	LBZ	大致重量 Weight
SF110S12030C2Z14	259	7.7
SF110S15030C2Z14	274	8.6
SF110S18030C2Z14	292	9.9

以上为标准安装尺寸, 可根据客户要求改动 The above standard installation sizes can be changed according to customer requirements
严禁敲击电机轴, 否则会损害轴另一端的编码器 Prohibited percussion motor shaft, otherwise it will undermine the other side of the encoder shaft

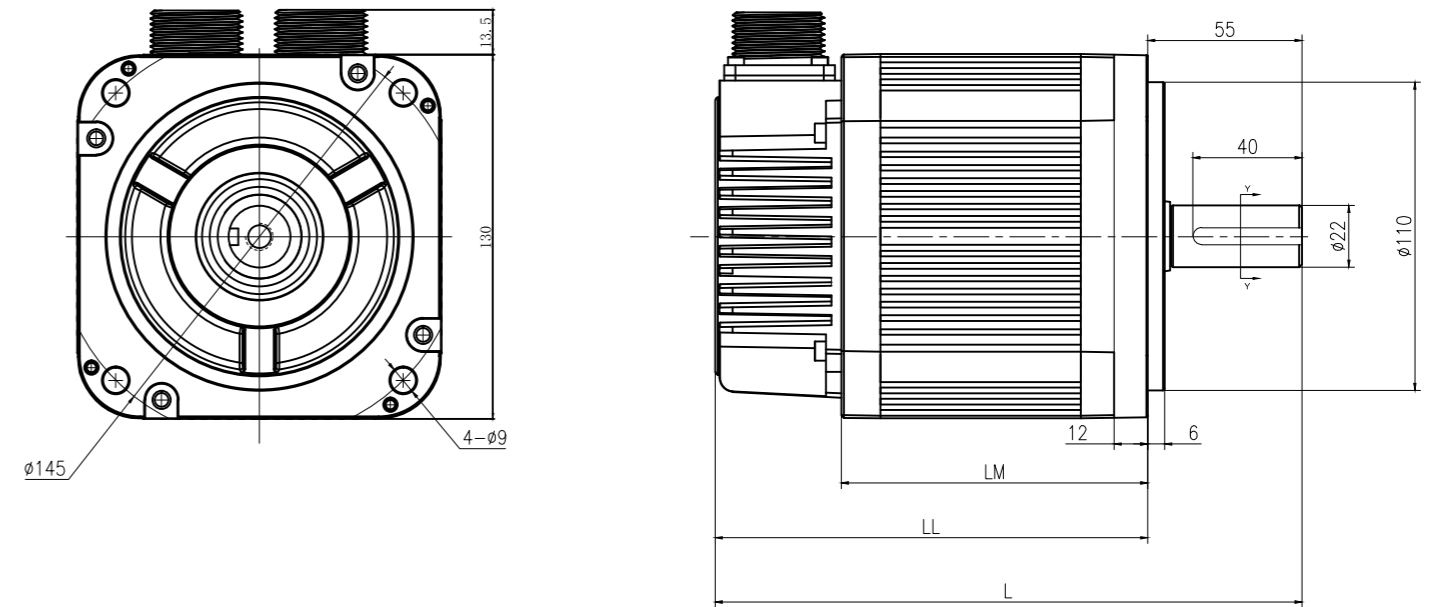


技术参数 Specifications

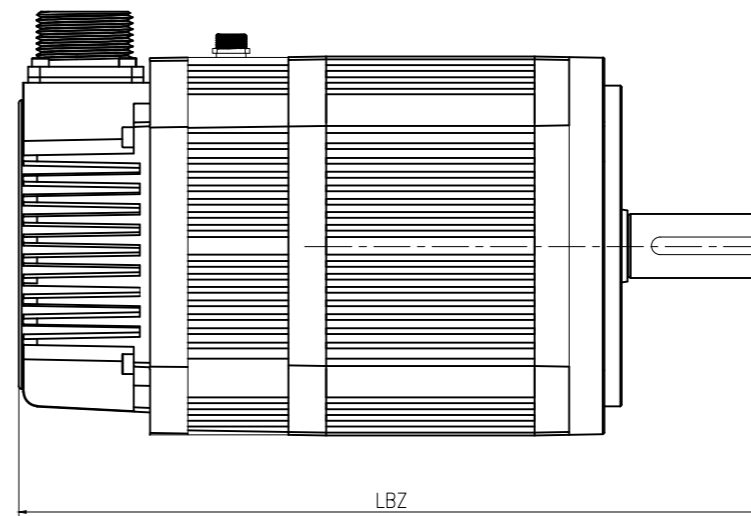
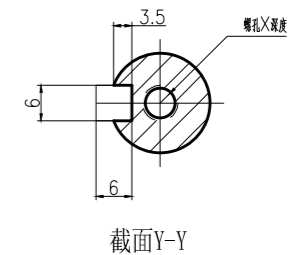
电机型号 Motor model	SF130S13025C2014	SF130S15025C2014	SF130S20025C2014	SF130S15015C2014	SF130S26025C2014	SF130S23015C2014										
国内通用型号 Domestic general model	130SF-M05025	130SF-M06025	130SF-M07725	130SF-M10015	130SF-M10025	130SF-M15015										
适配驱动电压(V) Drive voltage	220V(可选配380V)															
额定功率(KW) Rated output	1.3	1.5	2.0	1.5	2.6	2.3										
额定转矩(Nm) Rated torque	5	6	7.7	10	10	15										
最大转矩(Nm) Maximum torque	20	21	27.6	30	30	45										
额定转速(rpm) Rated speed	2500	2500	2500	1500	2500	1500										
最高转速(rpm) Maximum	3000	3000	3000	2000	3000	2000										
额定电流(A) Rated current	5.5	6.8	9	9.5	11.5	11.5										
转子惯量(kg.m ²) Rotor inertia	15.8x10 ⁻⁴	15.8x10 ⁻⁴	20.4x10 ⁻⁴	26.4x10 ⁻⁴	26.4x10 ⁻⁴	33.6x10 ⁻⁴										
转矩系数(N.m/A) Torque coefficient	0.90	0.88	0.90	1.10	0.86	1.40										
电气时间常数(ms) Electrical time constant	16.4	16.4	17	17	19.3	16.5										
线电阻(Ω) Line resistance	1.32	1.32	0.52	0.7	0.46	0.6										
线电感(mH) Line inductance	21.7	21.7	8.9	11.9	8.9	9.9										
线反电势常数(V/krpm) Line back EMF constant	60.7	60.7	50.6	69	58	82										
极对数 pole-pairs	4(可选配5对极)															
编码器线数(PPR) Encode resolution	2500(可选配绝对值)															
电机绝缘等级 Insulation class	F															
防护等级 Protection class	Ip65 (IP67可选)															
使用环境 environment conditions	环境温度 Temperature		-20°C~50°C													
	环境湿度 Humidity		小于90% (无结露) non-condensing													
电机绕组插座 Winding socket	绕组引线 Winding Wire	PE	U	V	W											
	插座编号 Socket Number	1	2	3	4											
编码器线侧插座 (绝对值式) Encoder socket	信号公针定义 Signal pin definition	PE	5V	0V	SD+	SD-	VB+	VB-								
	公针排列编号 Male pin number	1	2	3	4	5	6	7								
编码器线侧插座 (十五线式) Encoder socket	信号公针定义 Signal pin definition	PE	5V	0V	A+	B+	Z+	A-	B-	Z-	U+	V+	W+	U-	V-	W-
	公针排列编号 Male pin number	1	2	3	4	5	6	7	8	9	10	11	12	13	14	15

如果您有任何疑问或特殊要求, 请与我们联系
If you have any questions or special requests, please contact us

安装尺寸 Dimensions(mm)

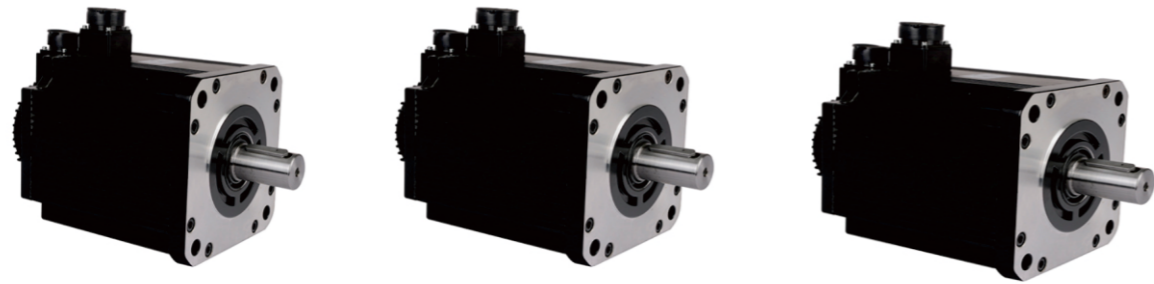


型号 Model	L	LL	LM	螺孔X深度(选配) Screw*Depth (Selection)	大致重量 weight
SF130S13025C2014	191.4	136.4	91.4	M6*15L	6.0
SF130S20025C2014	209.4	154.4	126.4	M6*15L	7.5
SF130S15015C2014	226.4	171.4	143.4	M6*15L	8.8
SF130S23015C2014	262.4	207.4	179.4	M6*15L	11.9



型号 Model	LBZ	大致重量 Weight
SF130S13025C2Z14	238	8.0
SF130S20025C2Z14	256	9.5
SF130S15015C2Z14	273	10.8
SF130S23015C2Z14	309	13.9

以上为标准安装尺寸, 可根据客户要求改动 The above standard installation sizes can be changed according to customer requirements
严禁敲击电机轴, 否则会损害轴另一端的编码器 Prohibited percussion motor shaft, otherwise it will undermine the other side of the encoder shaft

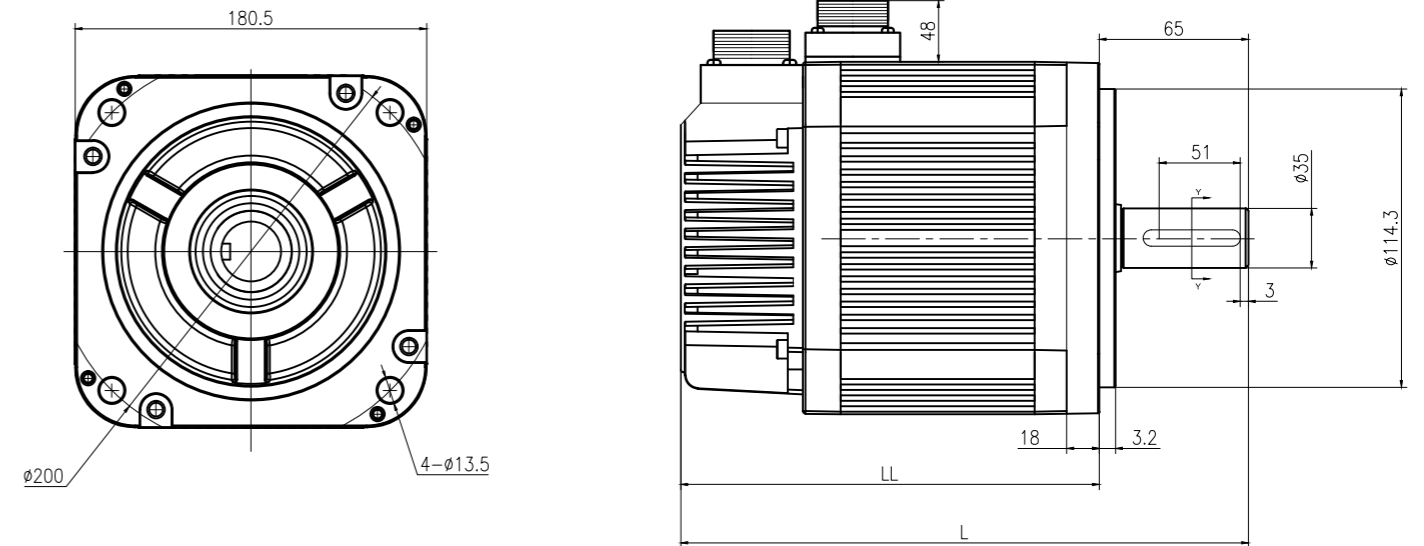


技术参数 Specifications

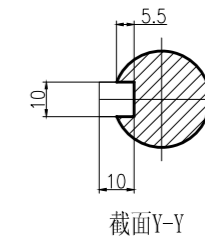
电机型号 Motor model	SF180A27015C2014	SF180A30015C2014	SF180A45020C2014	SF180A29010C2014	SF180A55015C2014	SF180A75015C2014										
国内通用型号 Domestic general model	180SF-M17015	180SF-M19015	180SF-M21520	180SF-M27010	180SF-M35015	180SF-M48015										
适配驱动电压(V) Drive voltage	220V(可选配380V)															
额定功率(KW) Rated output	2.7	3.0	4.5	2.9	5.5	7.5										
额定转矩(Nm) Rated torque	17.2	19	21.5	27	35	48										
最大转矩(Nm) Maximum torque	43	47	53	67	70	96										
额定转速(rpm) Rated speed	1500	1500	2000	1000	1500	1500										
最高转速(rpm) Maximum	2000	2000	2500	1500	2000	2000										
额定电流(A) Rated current	10.5	12	16	12	24	32										
转子惯量(kg.m ²) Rotor inertia	3.40x10 ⁻³	3.80x10 ⁻³	4.70x10 ⁻³	6.10x10 ⁻³	8.60x10 ⁻³	9.50x10 ⁻³										
转矩系数(N.m/A) Torque coefficient	1.64	1.58	1.34	2.25	1.45	1.50										
电气时间常数(ms) Electrical time constant	5	6	6	6.79	7.14	7.4										
线电阻(Ω) Line resistance	0.7	0.4	0.24	0.48	0.14	0.104										
线电感(mH) Line inductance	3.5	2.42	1.45	3.26	1.0	0.77										
线反电势常数(V/krpm) Line back EMF constant	112	97	84	138	90	94										
极对数 pole-pairs	4对极															
编码器线数(PPR) Encode resolution	2500(可选配绝对值)															
电机绝缘等级 Insulation class	F															
防护等级 Protection class	Ip65															
使用环境 environment conditions	环境温度 Temperature		-20°C~50°C		环境湿度 Humidity		小于90% (无结露) non-condensing									
电机绕组插座 Winding socket	绕组引线 Winding Wire	PE		U		V		W								
	插座编号 Socket Number	1		2		3		4								
编码器线侧插座 (绝对值式) Encoder socket	信号公针定义 Signal pin definition	PE	5V	0V	SD+	SD-	VB+	VB-								
	公针排列编号 Male pin number	1	2	3	4	5	6	7								
编码器线侧插座 (十五线式) Encoder socket	信号公针定义 Signal pin definition	PE	5V	0V	A+	B+	Z+	A-	B-	Z-	U+	V+	W+	U-	V-	W-
	公针排列编号 Male pin number	1	2	3	4	5	6	7	8	9	10	11	12	13	14	15

如果您有任何疑问或特殊要求, 请与我们联系
If you have any questions or special requests, please contact us

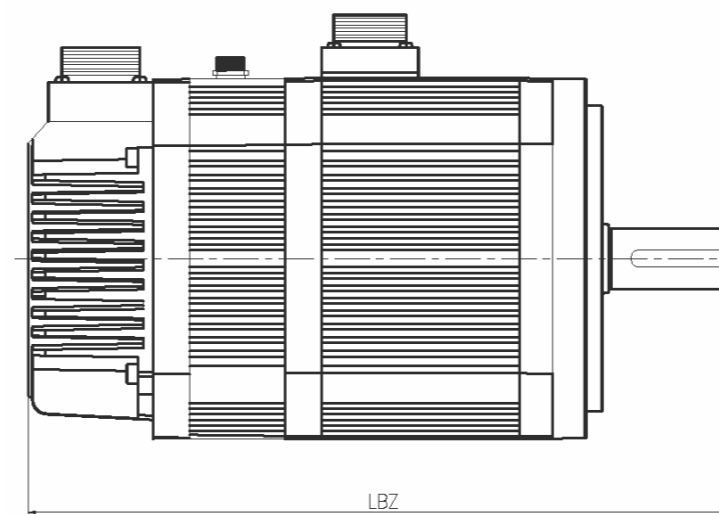
安装尺寸 Dimensions(mm)



型号 Model	L	LL	大致重量 Weight
SF180A27015C2014	291	226	19.5
SF180A30015C2014	297	232	20.5
SF180A45020C2014	308	243	22.2
SF180A29010C2014	327	262	25.5
SF180A55015C2014	357	292	30.5
SF180A75015C2014	429	364	40.0



截面Y-Y



型号 Model	LBZ(永磁)	LBZ(电磁)
SF180A27015C2Z14	373	363
SF180A30015C2Z14	379	369
SF180A45020C2Z14	390	380
SF180A29010C2Z14	409	399
SF180A55015C2Z14	447	429
SF180A75015C2Z14	501	481

以上为标准安装尺寸, 可根据客户要求改动 The above standard installation sizes can be changed according to customer requirements
严禁敲击电机轴, 否则会损害轴另一端的编码器 Prohibited percussion motor shaft, otherwise it will undermine the other side of the encoder shaft