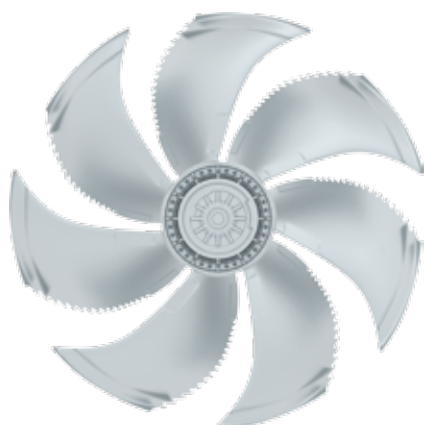


# FE2owlet

for three phase alternating current, 6-6 pole

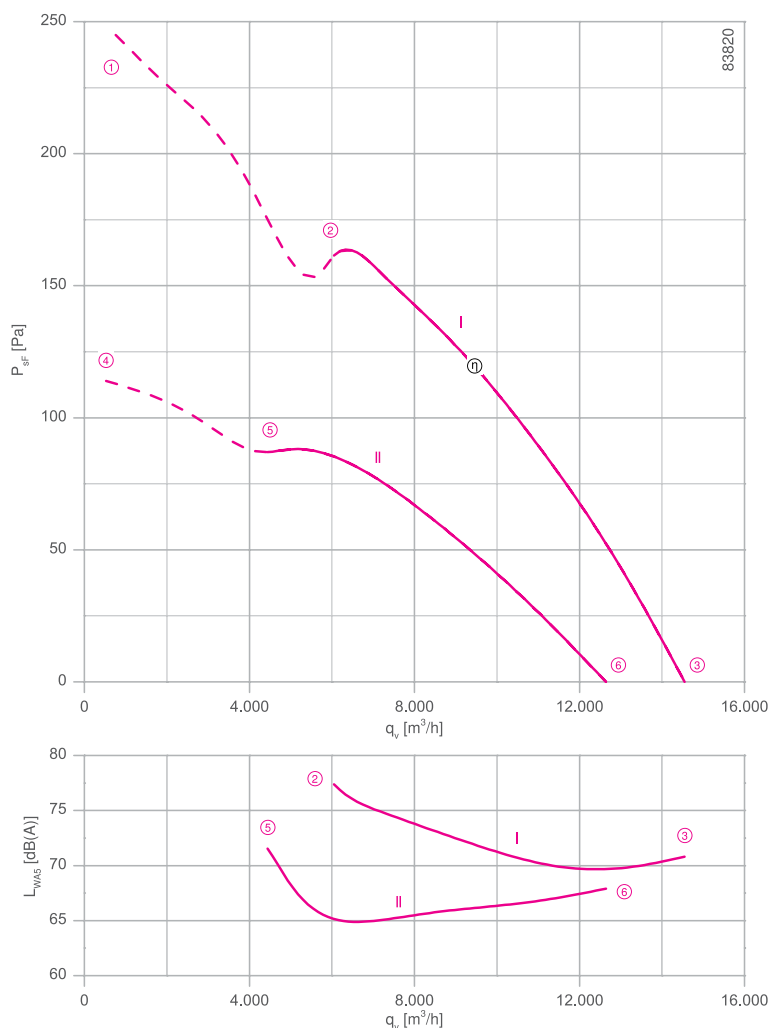
FNO71-SD



## Description

Motor technology: AC  
 Rated voltage  $U_N$ : 3- 400 V ( $\Delta/Y$ )  $\pm 10$  %\*  
 Rated frequency  $f_N$ : 50 Hz\*  
 Input power  $P_i$ : 0.94/0.62 kW\*  
 Rated current  $I_N$ : 1.70/1.05 A\*  
 Rated speed  $n_N$ : 900/ 690 min<sup>-1</sup>\*  
 Starting current  $I_s$ : 6.00 / 1.80 A  
 Current increase  $\Delta I$ : 10 %  
 Thermal class: **THCL155**\*  
 Min. permitted ambient temperature  $t_{R(min)}$ : -40 °C  
 Max. permitted ambient temperature  $t_{R(max)}$ : 70 °C  
 Electrical connection: Terminal box  
 Number of blades: 7  
 Protection class: IP54  
 Motor protection: thermal contact  
 Blades: Aluminium, uncoated  
 Rotor: Aluminium, uncoated  
 Conformity: ErP 2015, CE  
**ErP-data**  
 Efficiency  $\eta_{statA}$ : 38.1 %  
 Efficiency:  $N_{actual} = 44.9 / N_{target} = 40$ \*\*  
 \* Rated data  
 \*\*ErP 2015

## Characteristic curve



Measured in full bell mouth without guard grille in installation type A according to ISO 5801

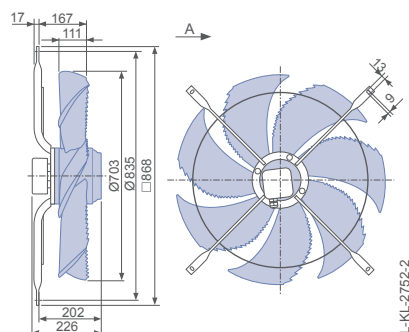
Connection diagram Page 531  
 for airflow direction A 1360-108XB  
 for airflow direction V 1360-108XA

System components Page 430

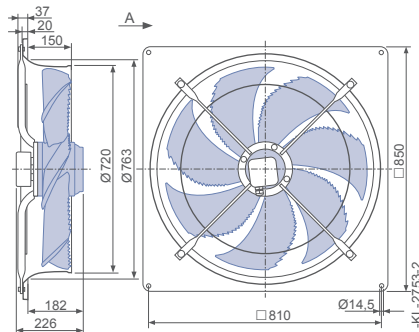
## Dimensions mm

### Airflow direction A

Design D - axial bolted, suspension for full bell mouth, guard grille suction side

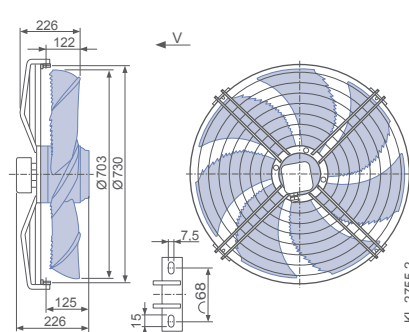


Design Q - square full bell mouth, without guard grille



### Airflow direction V

Design S - radially bolted, mounted for short bell mouth, guard grille pressure side



Performance data

| Type            | Connection | Characteristic curve | Voltage | Operating point | Current | Input power | Speed | Suction side sound power level<br>$L_{WA5}$<br>dB(A) |
|-----------------|------------|----------------------|---------|-----------------|---------|-------------|-------|--|
|                 |            |                      | U<br>V  |                 |         |             |       |  |
| FN071-SD_6F_7P1 | Δ          | I                    | 400     | ①               | 2.10    | 1200        | 850   |  |
|                 |            |                      | 400*    | ②               | 1.70*   | 940*        | 900*  | 78   |
|                 |            |                      | 400     | ③               | 1.25    | 560         | 940   | 71   |
|                 | Y          | II                   | 400     | ④               | 1.25    | 700         | 580   |  |
|                 |            |                      | 400*    | ⑤               | 1.05*   | 620*        | 690*  | 69   |
|                 |            |                      | 400     | ⑥               | 0.77    | 450         | 820   | 68   |

\*rated data

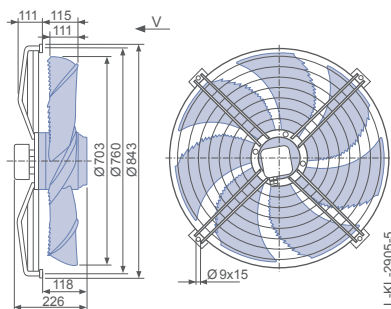
Fan ordering information

|                    | Airflow direction A           |                          | Airflow direction V            |                                |                                |
|--------------------|-------------------------------|--------------------------|--------------------------------|--------------------------------|--------------------------------|
| Design             | D (guard grille suction side) | Q (without guard grille) | S (guard grille pressure side) | I (guard grille pressure side) | Q (guard grille pressure side) |
|                    |                               |                          |                                |                                |                                |
| <b>Type</b>        | <b>FN071-SDD.6F.A7P1</b>      | <b>FN071-SDQ.6F.A7P1</b> | <b>FN071-SDS.6F.V7P1</b>       | <b>FN071-SDI.6F.V7P1</b>       | <b>FN071-SQ.6F.V7P1</b>        |
| <b>Article no.</b> | <b>141748</b>                 | <b>141749</b>            | <b>141783</b>                  | <b>153791</b>                  | <b>141778</b>                  |
| <b>Weight kg</b>   | 20.50                         | 31.50                    | 23.40                          | 23.40                          | 34.30                          |

Control technology

|  |                                  |                                       |
|--|----------------------------------|---------------------------------------|
| Frequency inverters<br>Fcontrol 3~<br> | Motor protection units<br>3~<br> | Electronic voltage controllers 3~<br> |
| Page 480                               | Page 518                         | Page 506                              |

Design I - axial bolted, mounting for bell mouth flange, guard grille pressure side



Design Q - square full bell mouth, guard grille pressure side

